

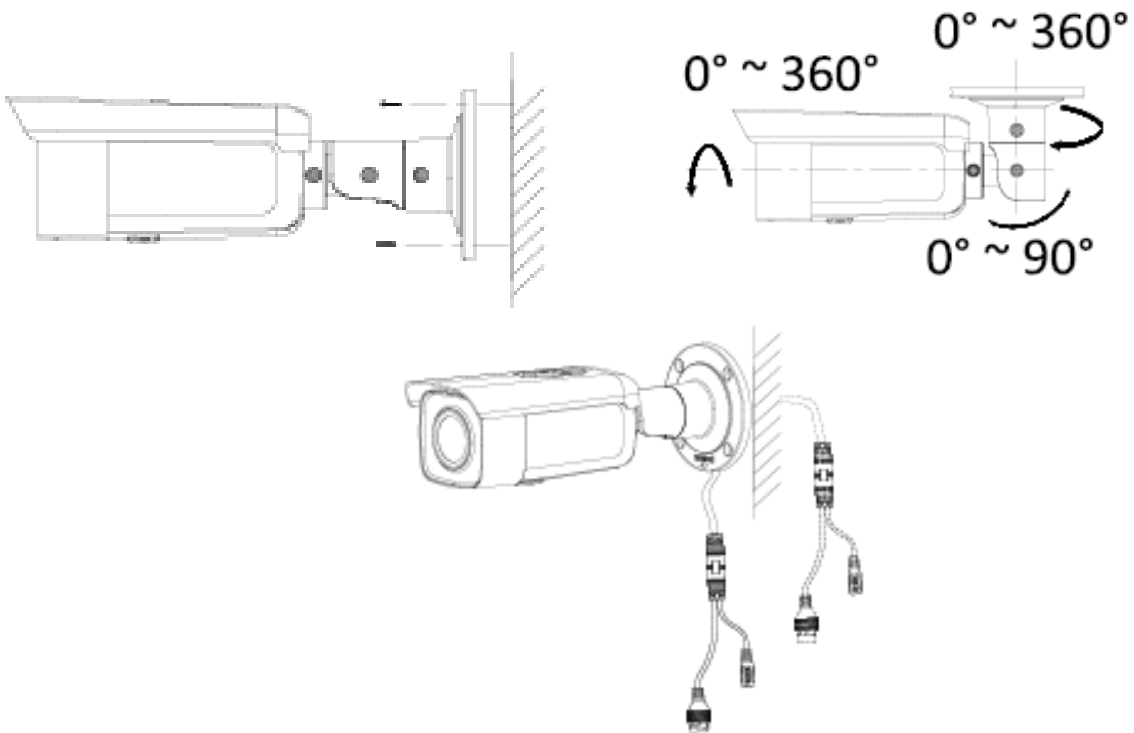


## **Quick Guide**

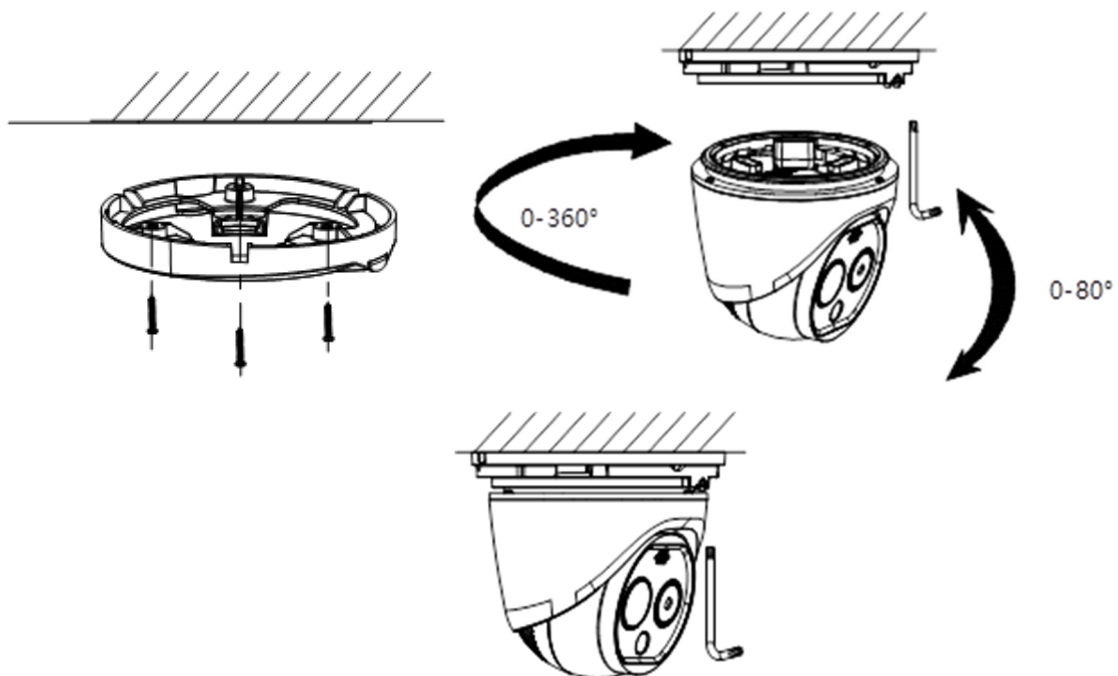
**GD-TI-Series**

## Installation

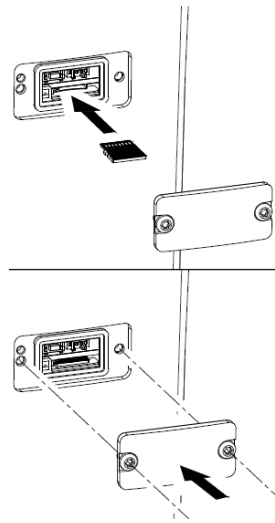
### Bullet camera



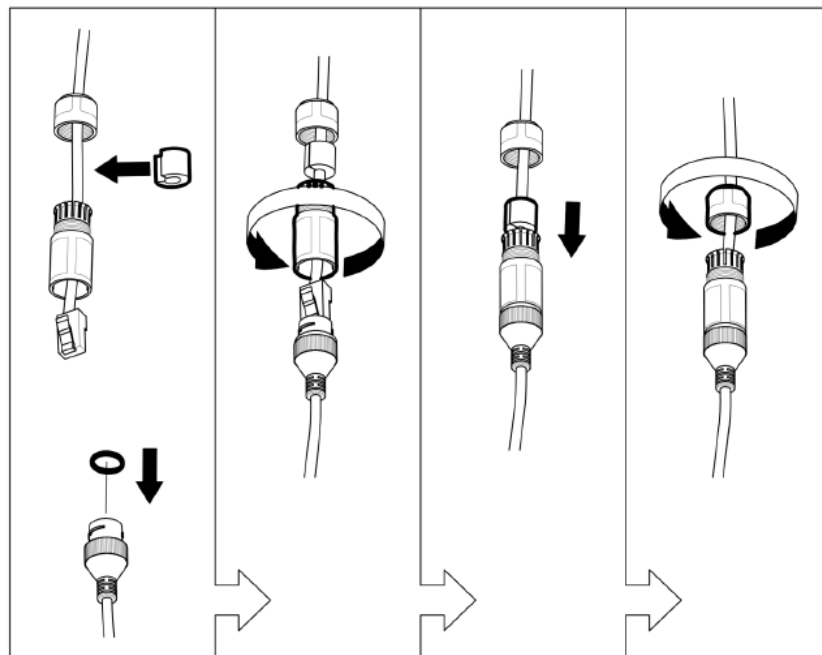
### Eyeball camera



## SD-Card



## Protective Grommet

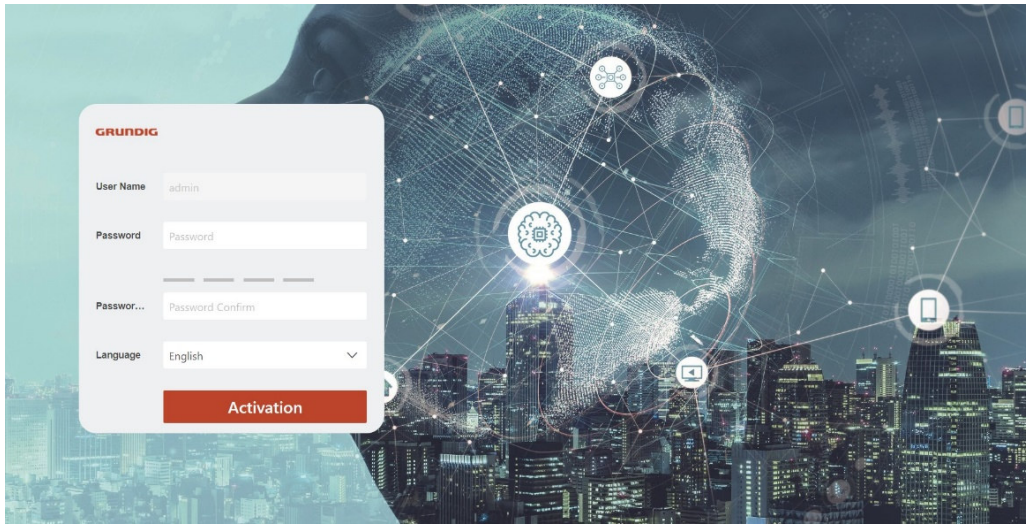


## Activation

❌ DHCP → 192.168.1.100

✅ DHCP → GD-CW-FINDER

## Password



The image shows a password activation form overlaid on a background of a city skyline at night with a digital network overlay. The form includes the GRUNDIG logo, a User Name field with 'admin' entered, a Password field with 'Password' entered, a Password Confirm field with 'Password Confirm' entered, and a Language dropdown menu set to 'English'. A red 'Activation' button is at the bottom.

**GRUNDIG**

User Name

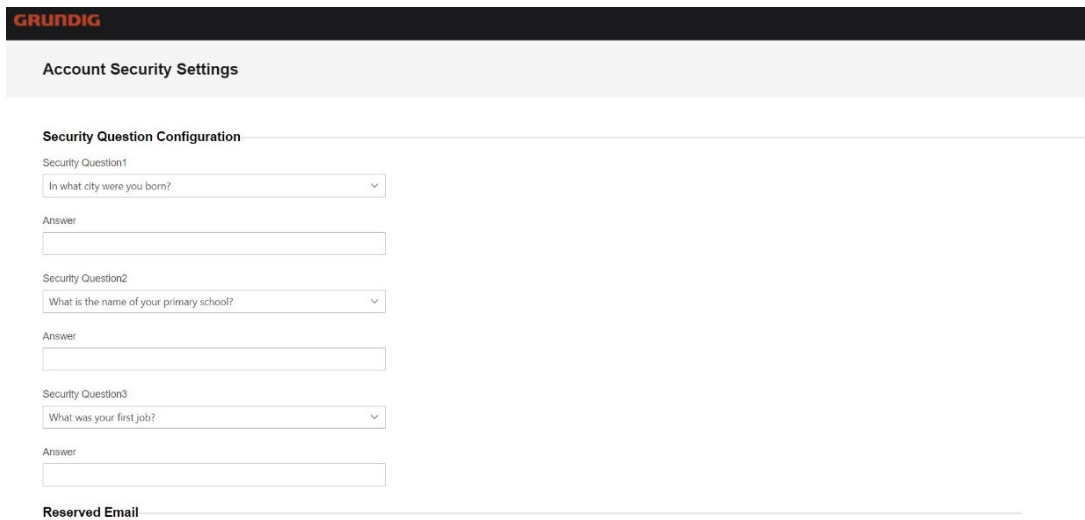
Password

Passwor...

Language

**Activation**

## Security Questions



The image shows the 'Account Security Settings' page. It features a header with the GRUNDIG logo and the title 'Account Security Settings'. Below this is the 'Security Question Configuration' section, which contains three security questions, each with a dropdown menu for the question and a text input field for the answer. The questions are: 'In what city were you born?', 'What is the name of your primary school?', and 'What was your first job?'. At the bottom, there is a 'Reserved Email' field.

**GRUNDIG**

**Account Security Settings**

**Security Question Configuration**

Security Question1

Answer

Security Question2

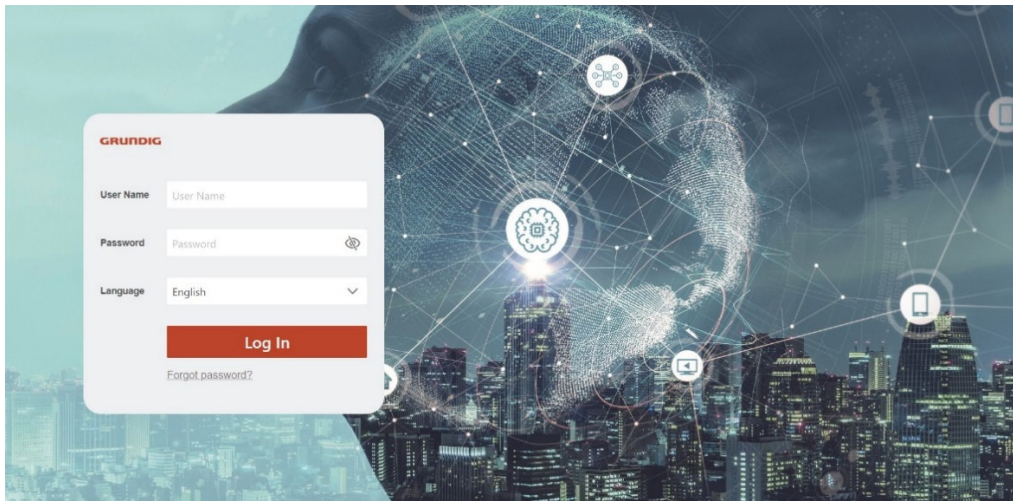
Answer

Security Question3

Answer

**Reserved Email**

## Log In



The image shows a log in form overlaid on the same city skyline background as the password form. The form includes the GRUNDIG logo, a User Name field with 'User Name' entered, a Password field with 'Password' entered and a visibility toggle icon, and a Language dropdown menu set to 'English'. A red 'Log In' button is at the bottom, with a 'Forgot password?' link below it.

**GRUNDIG**

User Name

Password

Language

**Log In**

[Forgot password?](#)

## Manual & Tools



Manual one lens device

<https://download.grundig-security.com/UG-GD-TI-AP2607T-2024-09-02-V6-EN.pdf>



Manual dual lens device

<https://download.grundig-security.com/UG-GD-TI-AP1614V-2024-09-04-V6-EN.pdf>



Activation Tool GD-CW-Finder

<https://grundig-security.com/catalog/software/c-werk/GD-CW-FINDER>



PC-Software GD-SW-SCMS

<https://grundig-security.com/catalog/software/GD-SW-SCMS>



SCMS App Android

<https://play.google.com/store/apps/details?id=com.grundig.scms&hl=de&gl>



SCMS App iOS

<https://apps.apple.com/de/app/scms/id1442059754>



## Safety



Safety Manual

<https://download.grundig-security.com/Grundig-Product-Safety-2024-04-24-V1.pdf>