



## **Quick Guide**

**GD-PTZ-Series**

## Safety



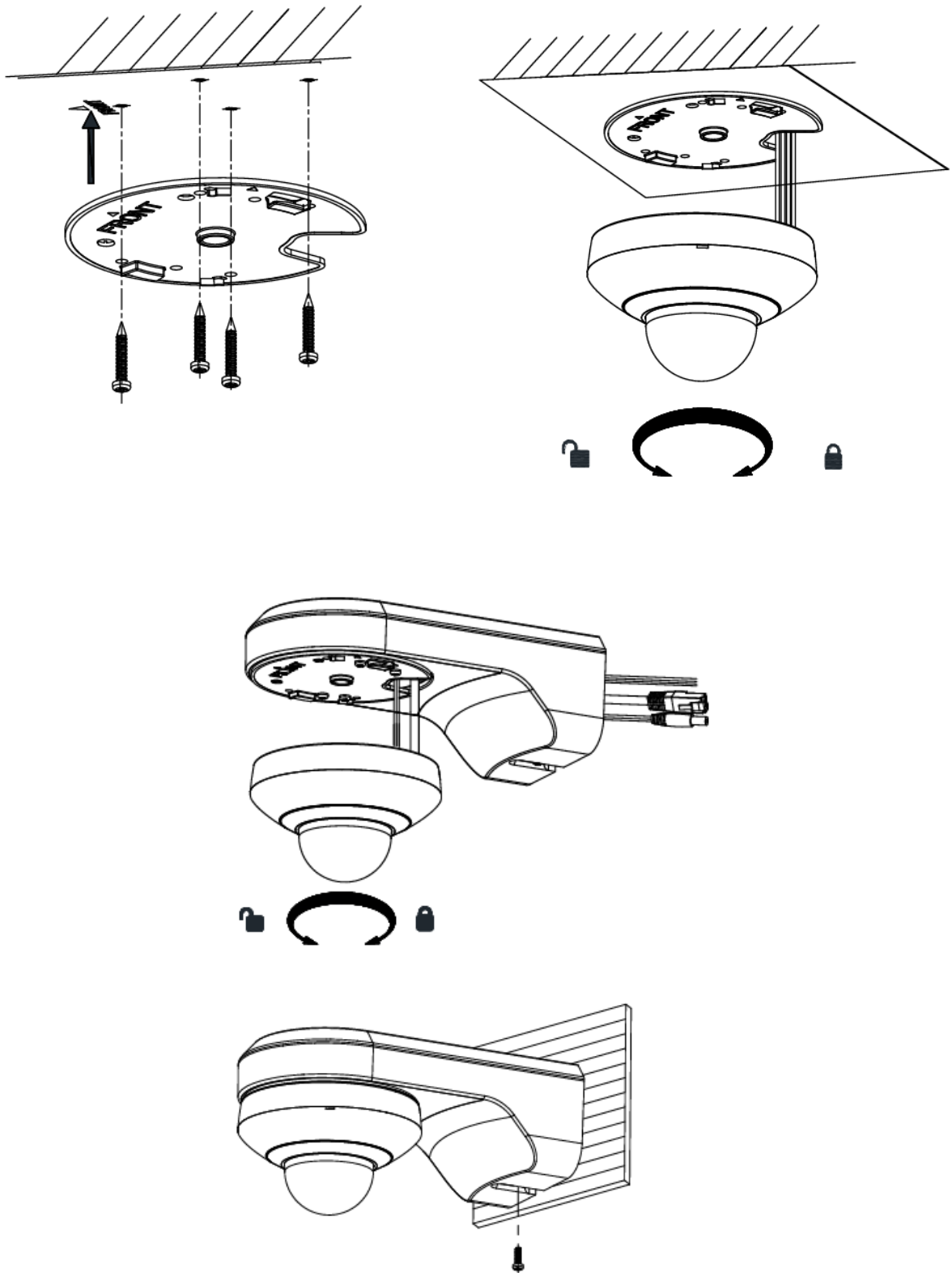
Safety Manual

<https://download.grundig-security.com/Grundig-Product-Safety-2024-04-24-V1.pdf>

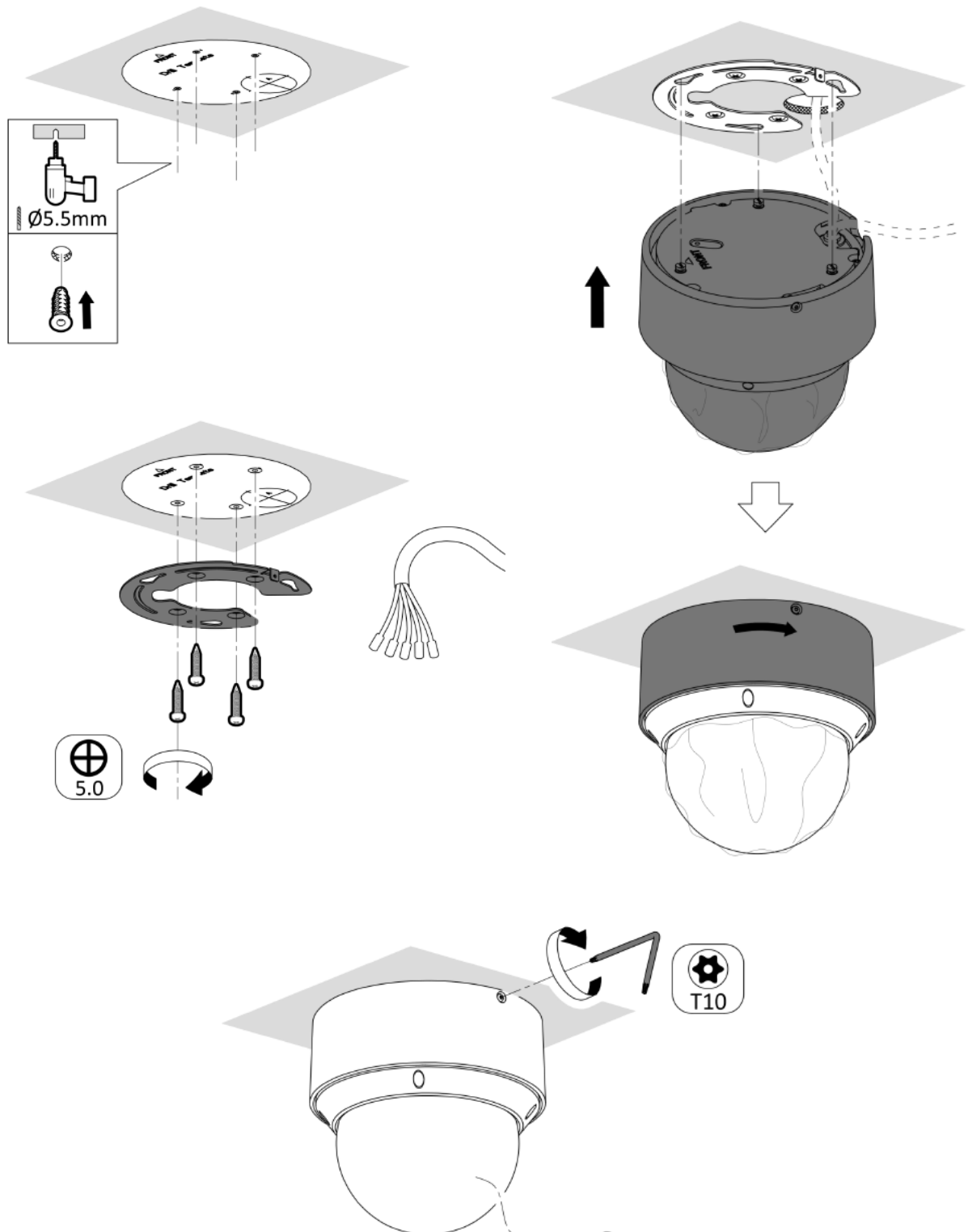


## Installation

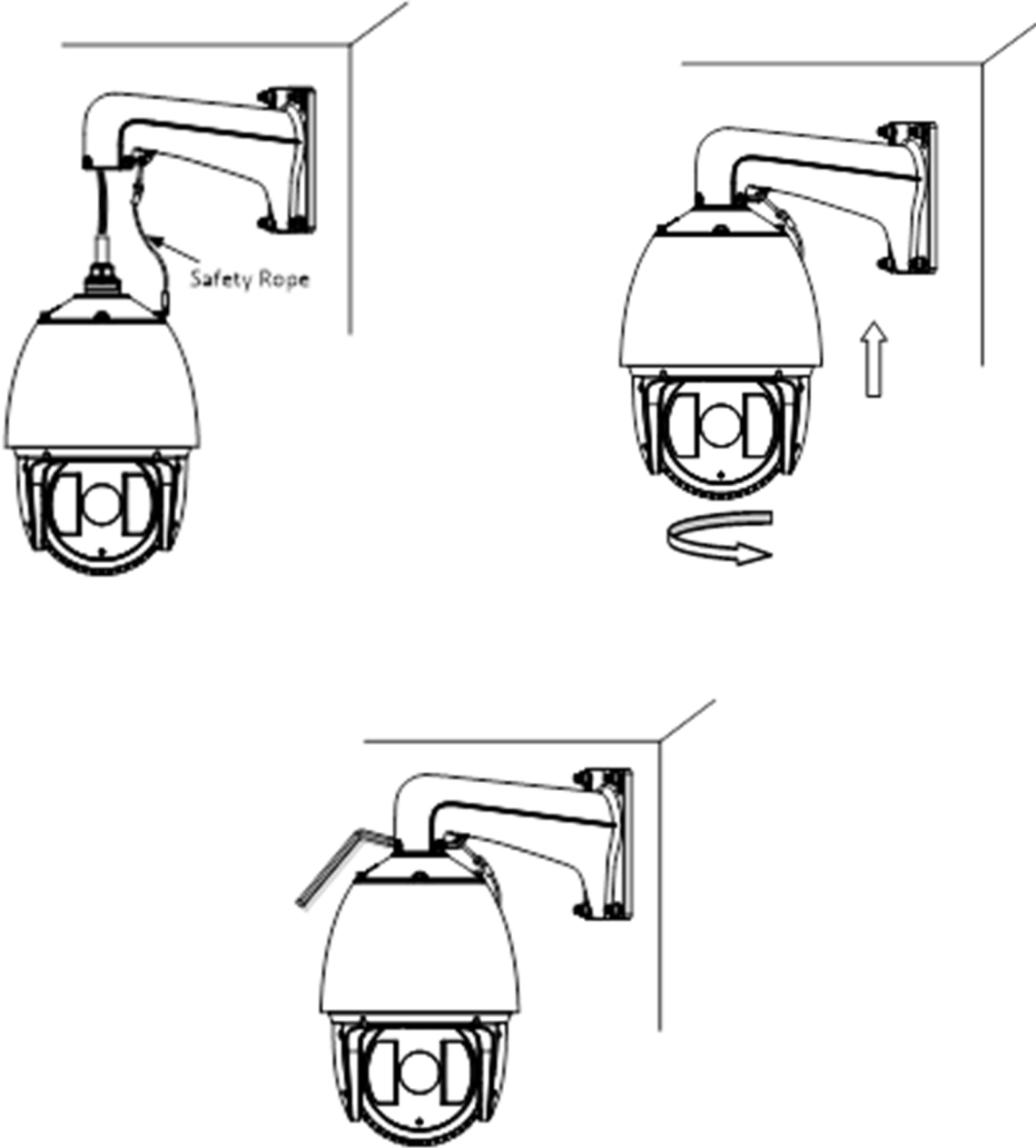
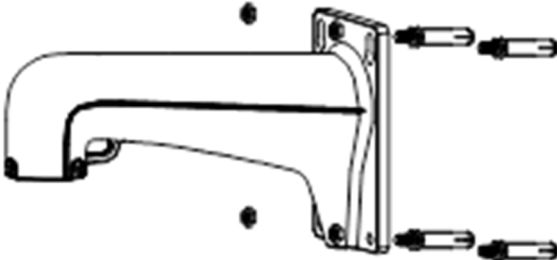
GD-CI-AC4637P



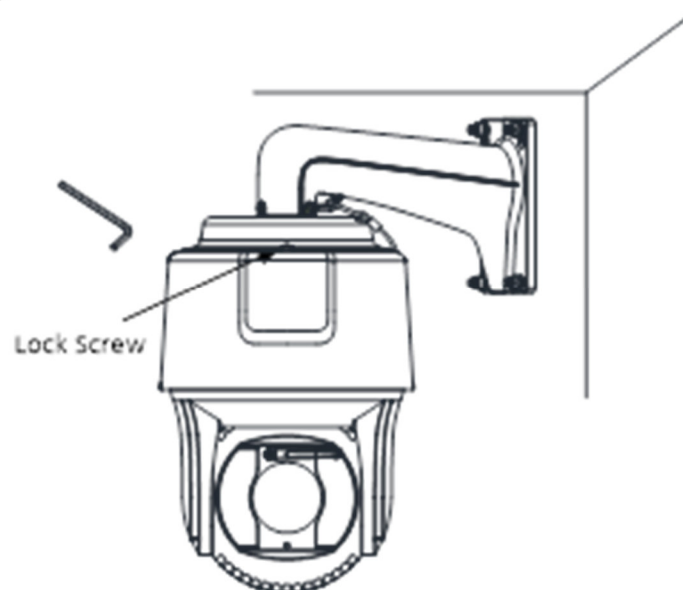
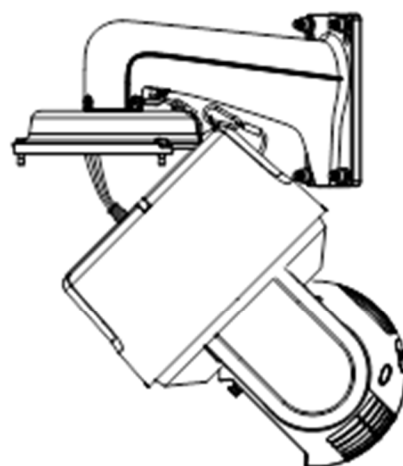
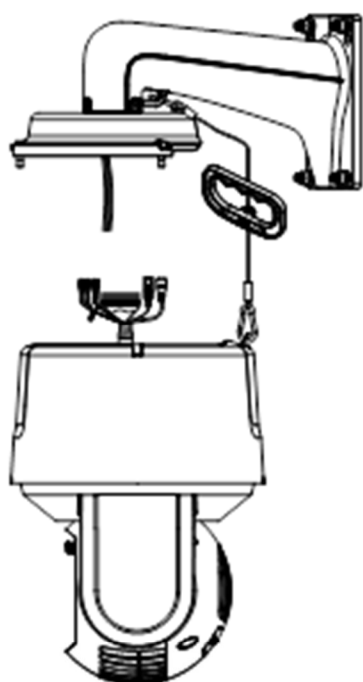
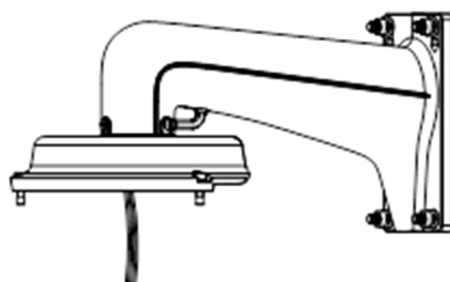
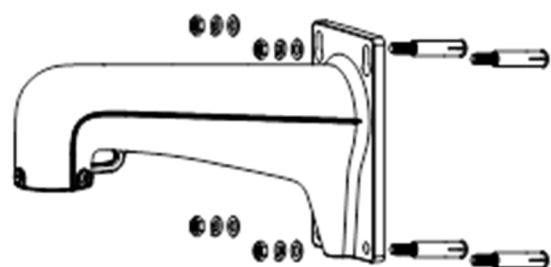
GD-CI-CC2647P



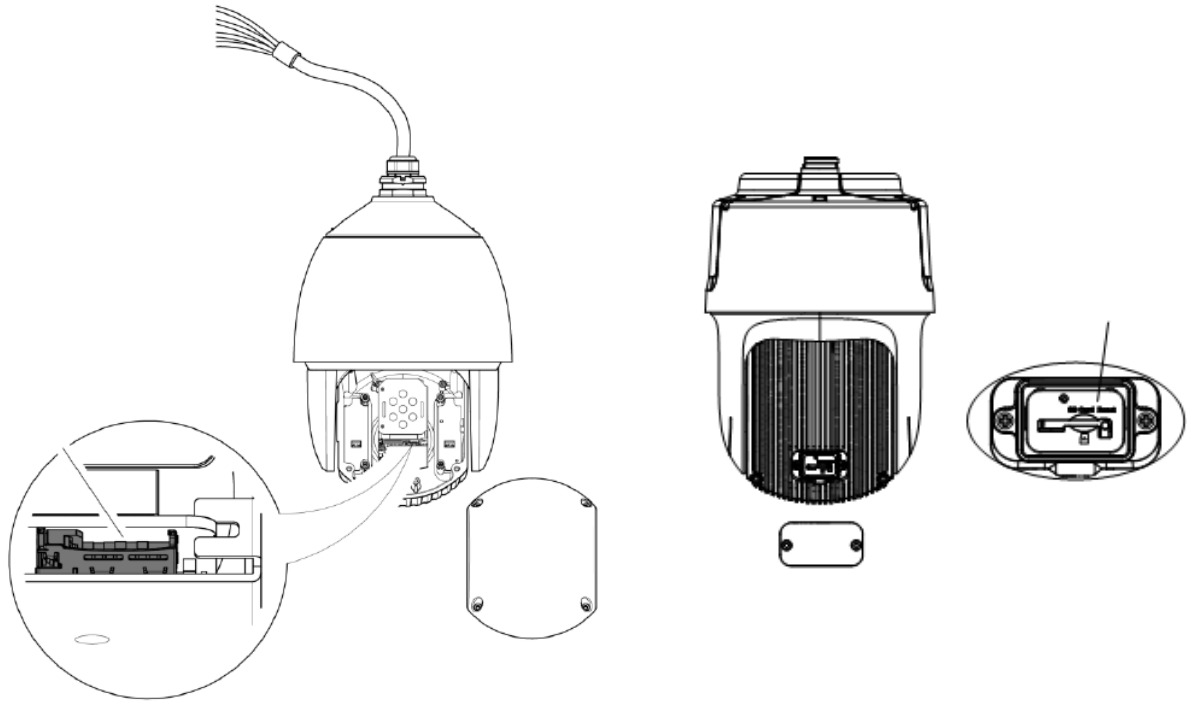
GD-CI-AP4647P/-AP4747P/-CP2747P



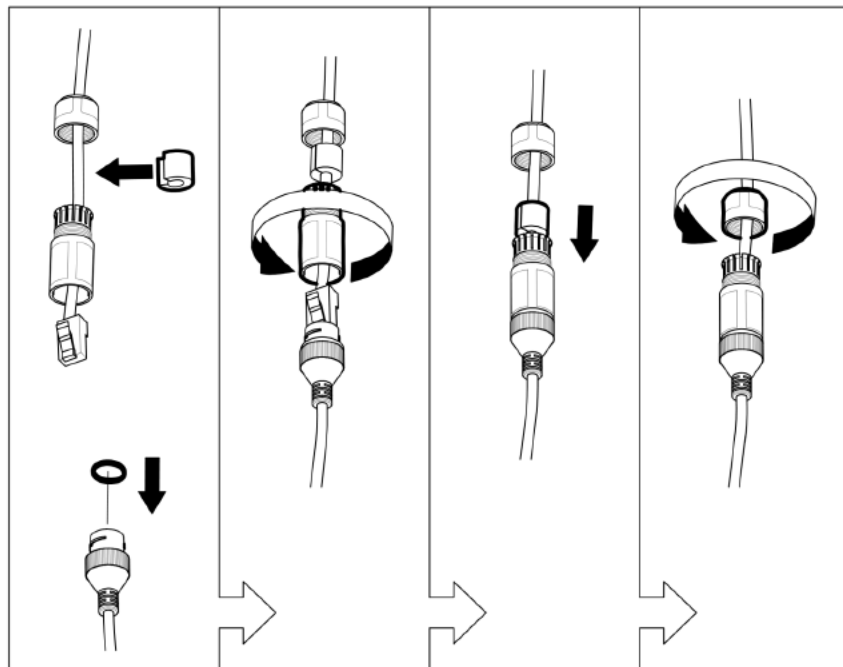
GD-CI-ET4747P



## SD-Card



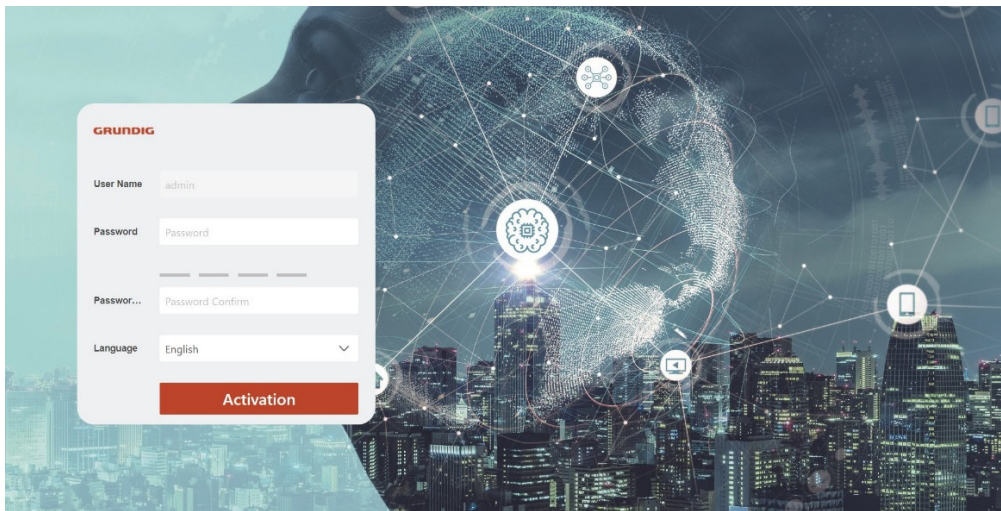
## Protective Grommet



## Activation

- ✘ DHCP → 192.168.1.100
- ✔ DHCP → GD-CW-FINDER

## Password



## Security Questions

**GRUNDIG**

**Account Security Settings**

---

**Security Question Configuration**

Security Question1  
In what city were you born?

Answer

Security Question2  
What is the name of your primary school?

Answer

Security Question3  
What was your first job?

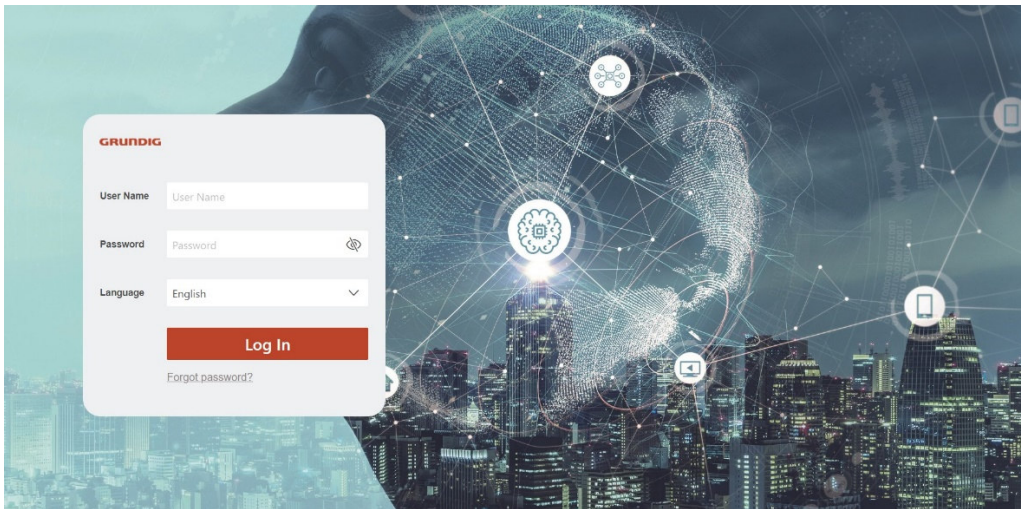
Answer

**Reserved Email**

---



## Log In



## Manual & Tool



Manual

<https://download.grundig-security.com/UG-GD-CI-IPC-2021-04-23-V5-EN.pdf>



Activation Tool GD-CW-Finder

<https://grundig-security.com/catalog/software/c-werk/GD-CW-FINDER>



PC-Software GD-SW-SCMS

<https://grundig-security.com/catalog/software/GD-SW-SCMS>



SCMS App Android

<https://play.google.com/store/apps/details?id=com.grundig.scms&hl=de&gl>



SCMS App iOS

<https://apps.apple.com/de/app/scms/id1442059754>