



Quick Guide

GD-CI-Series

Safety

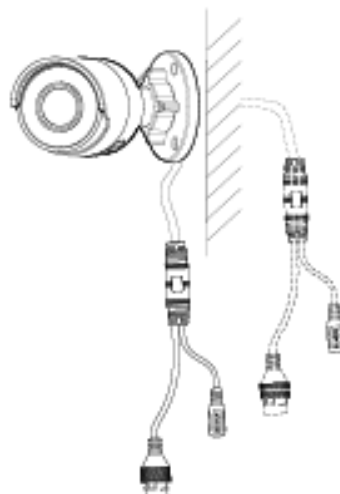
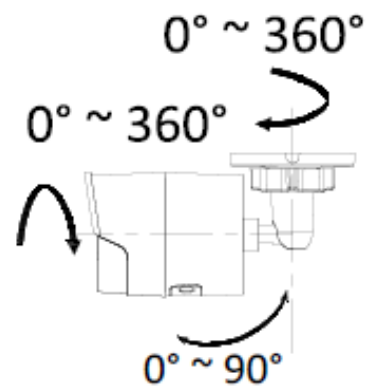
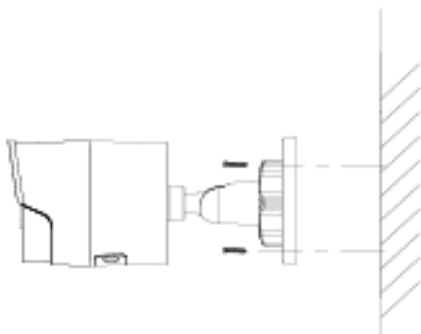


Safety Manual

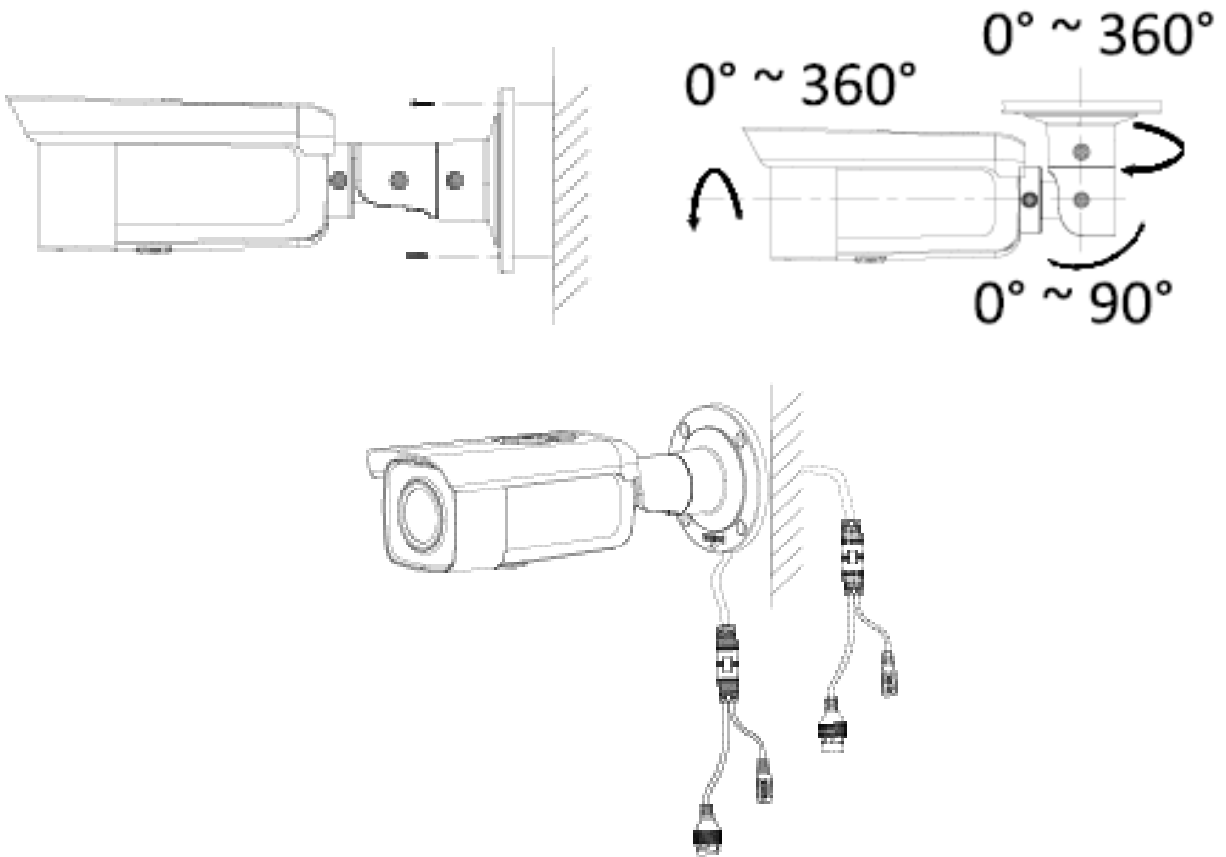
<https://download.grundig-security.com/Grundig-Product-Safety-2024-04-24-V1.pdf>

Installation

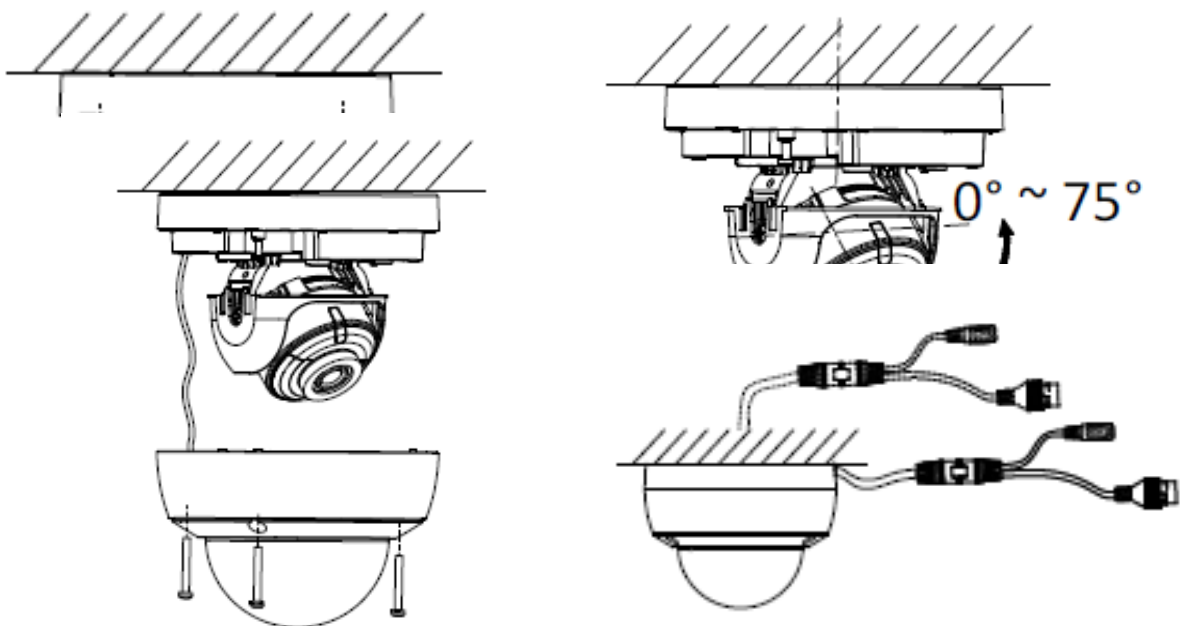
Bullet camera fixed lens



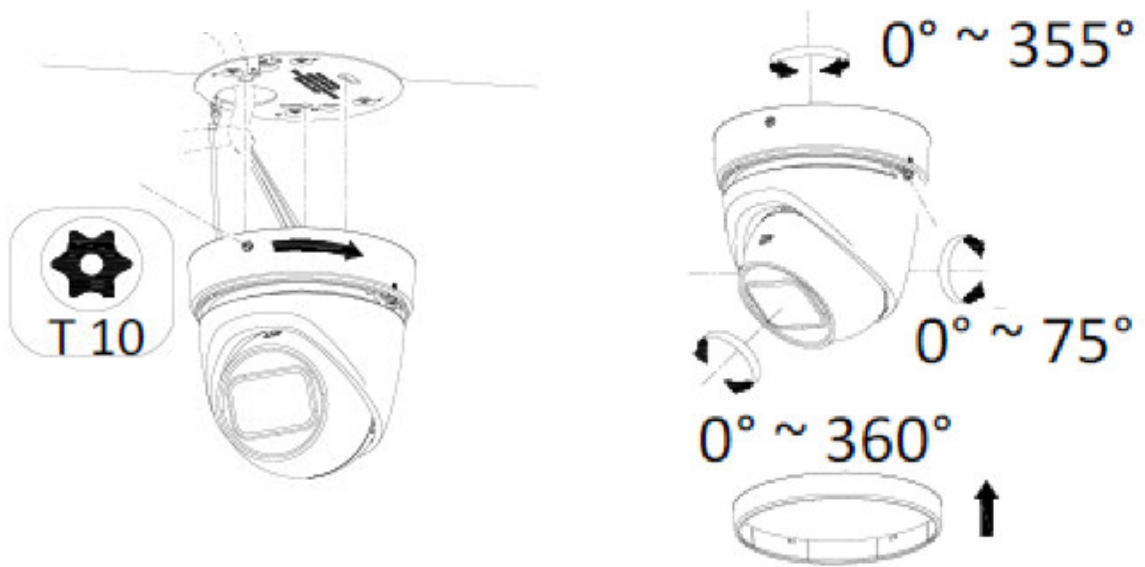
Bullet camera vari-focal lens



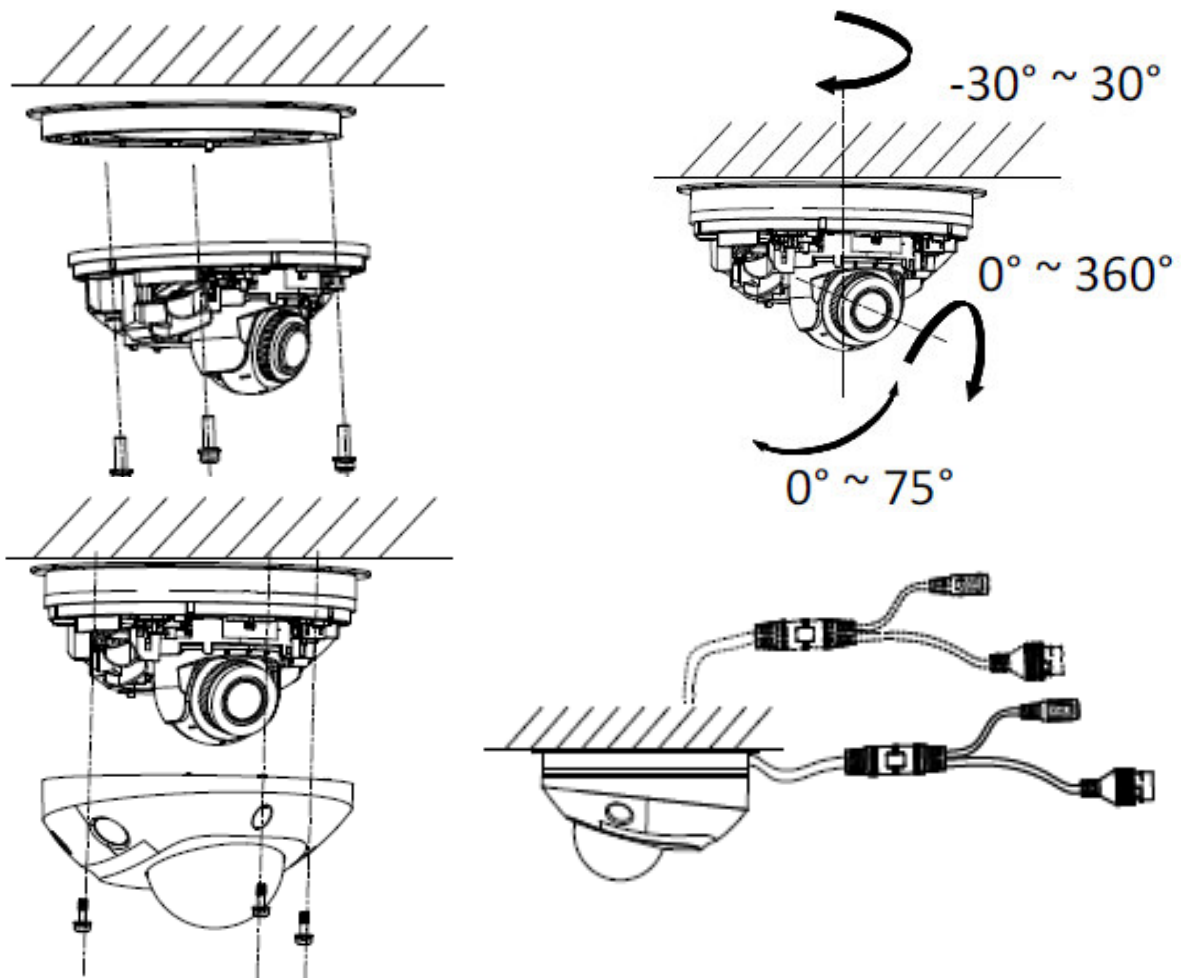
Fix Dome



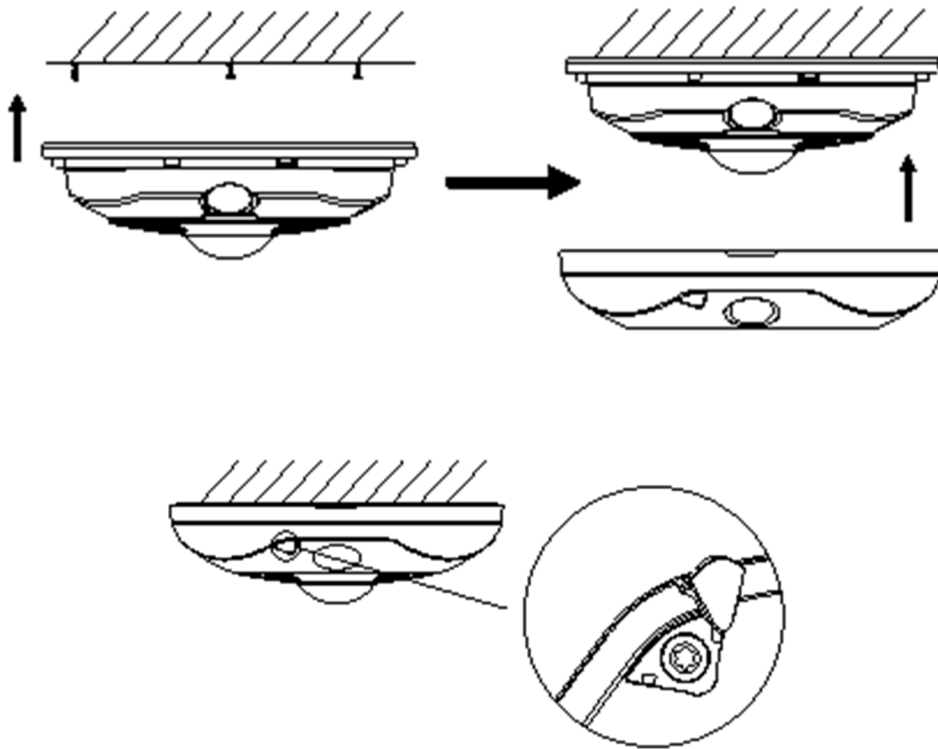
Eyeball



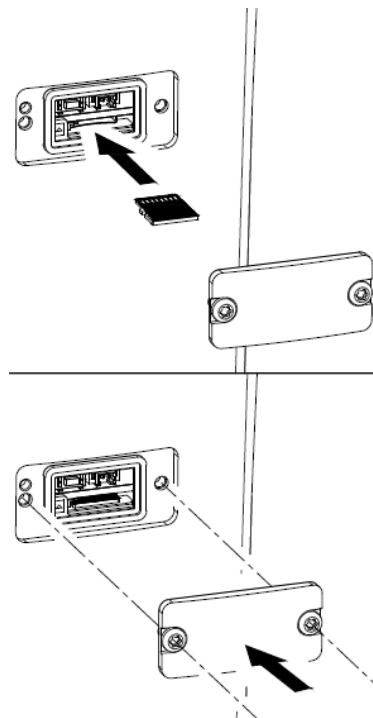
Wedge



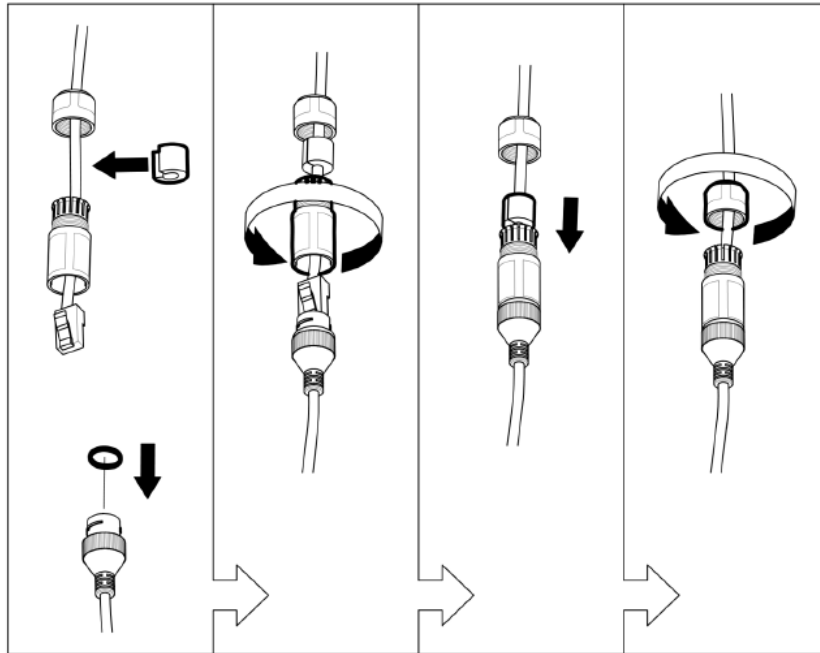
Fisheye



SD-Card



Protective Grommet

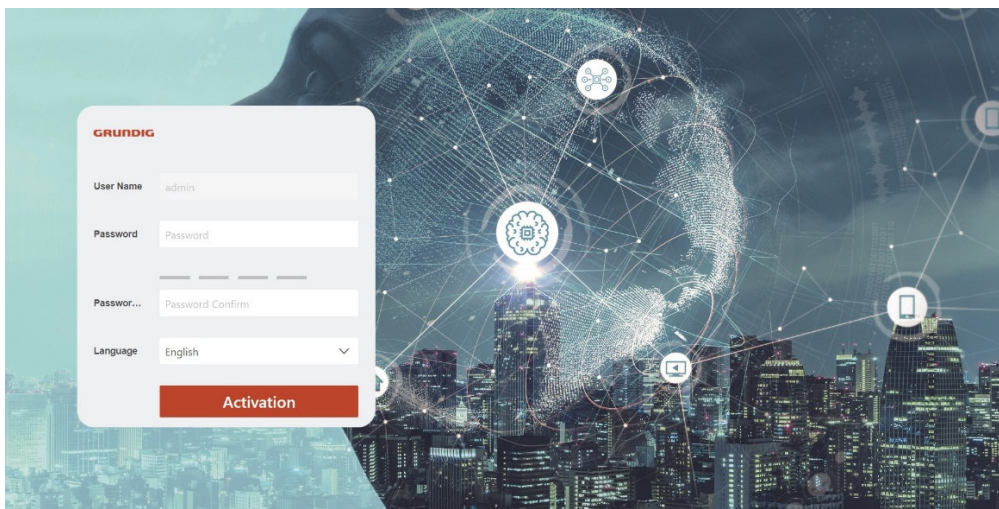


Activation

❌ DHCP → 192.168.1.100

✅ DHCP → GD-CW-FINDER

Password



Security Questions

GRUNDIG

Account Security Settings

Security Question Configuration

Security Question1
In what city were you born?

Answer

Security Question2
What is the name of your primary school?

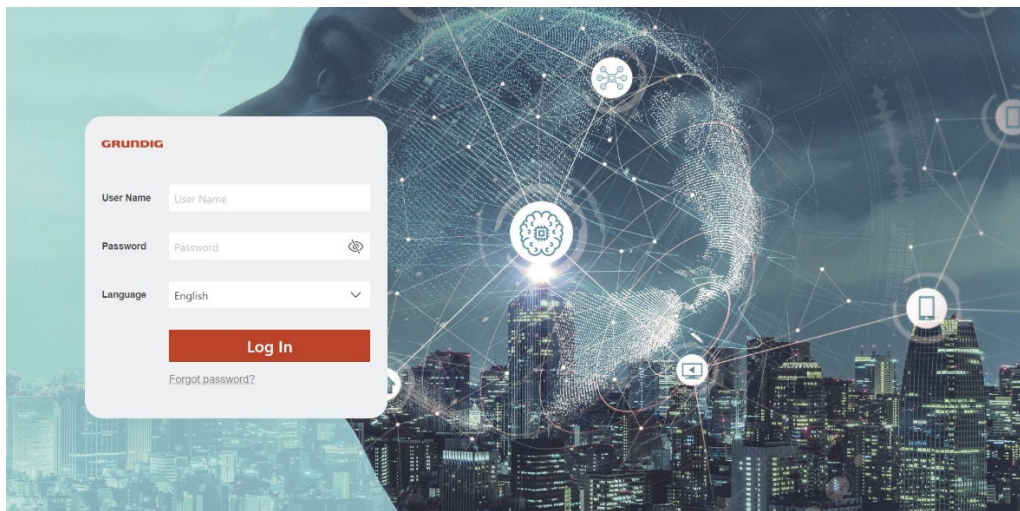
Answer

Security Question3
What was your first job?

Answer


Reserved Email

Log In



GRUNDIG

User Name

Password 

Language

Log In

[Forgot password?](#)

Manual & Tool



Manual

<https://download.grundig-security.com/UG-GD-CI-IPC-2021-04-23-V5-EN.pdf>



Activation Tool GD-CW-Finder

<https://grundig-security.com/catalog/software/c-werk/GD-CW-FINDER>



PC-Software GD-SW-SCMS

<https://grundig-security.com/catalog/software/GD-SW-SCMS>



SCMS App Android

<https://play.google.com/store/apps/details?id=com.grundig.scms&hl=de&gl>



SCMS App iOS

<https://apps.apple.com/de/app/scms/id1442059754>