



Type: Dome Housing & Brackets - Housing & Bracket - Accessories

Item Code: GU-BR-AMW06

EAN CODE: 4260573065233

## SMART

The SMART product line offers comprehensive coverage of modern video systems with advanced AI analysis and solutions for various application areas.

## Features

- Rugged Aluminium Design

## Smart Line

In addition to the usual reliability, the SMART product line from GRUNDIG Security offers numerous image analysis functions, supported by artificial intelligence (AI). For example, use the LPR function to recognize license plates or facial recognition to identify people. Or reduce the number of false alarms by classifying objects as 'Vehicle', 'Person' or 'Other'. GRUNDIG Security's SMART cameras are able to detect people in crowds, count the number of heads and measure the length of queues, e.g. B. to be determined in the checkout area. In this way, they help you to use your resources optimally. They also inform you if unauthorized people cross predefined lines or enter certain areas.

## Specifications GU-BR-AMW06

### General

Colour: White

### Approvals

Regulation: RoHS Compliant

### Mechanical

Material: Aluminium alloy

Dimensions: 155 x 132 x 75 mm (6.1 x 5.2 x 2.95 inch)

Weight: 830 g (1.8 lb)

### Packaging

Package Dimensions: 135 x 160 x 85 mm (5.3 x 6.3 x 3.3 inch)

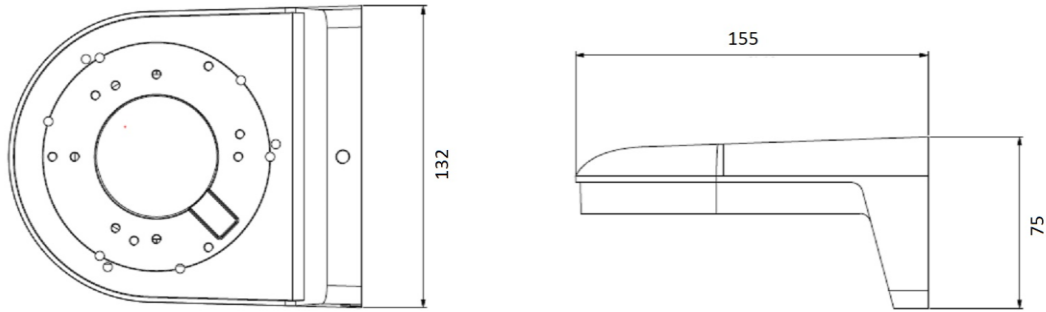
Package Weight: 940 g (2.1 lbs)

Packaging Unit: 12

Bulk Package Dimensions: 420 x 335 x 275 mm (16.5 x 13.2 x 10.8 inch)

Bulk Package Weight: 12200 g (26.9 lbs)

## Dimensions



**Fits the following products:**

---

GU-CI-AP8616Q    8 MP 180° Panoramic-IP-Camera