



Type: Dome Housing & Brackets - Housing & Bracket - Accessories

Item Code: GU-BR-AMW01

EAN CODE: 4260573064120

SMART

The SMART product line offers comprehensive coverage of modern video systems with advanced AI analysis and solutions for various application areas.

Features

- Rugged Aluminium Design

Smart Line

In addition to the usual reliability, the SMART product line from GRUNDIG Security offers numerous image analysis functions, supported by artificial intelligence (AI). For example, use the LPR function to recognize license plates or facial recognition to identify people. Or reduce the number of false alarms by classifying objects as 'Vehicle', 'Person' or 'Other'. GRUNDIG Security's SMART cameras are able to detect people in crowds, count the number of heads and measure the length of queues, e.g. B. to be determined in the checkout area. In this way, they help you to use your resources optimally. They also inform you if unauthorized people cross predefined lines or enter certain areas.

Specifications GU-BR-AMW01

General

Colour: White

Approvals

Regulation: RoHS Compliant

Mechanical

Material: Aluminium alloy

Dimensions: 180 × 169 × 98 mm (7.08 × 6.65 × 3.85 inch)

Weight: 527 g (1.16 lb)

Packaging

Package Dimensions: 215 x 150 x 205 mm (8.5 x 5.9 x 8.1 inch)

Package Weight: 800 g (1.8 lbs)

Packaging Unit: 12

Bulk Package Dimensions: 465 x 445 x 430 mm (18.3 x 17.5 x 16.9 inch)

Bulk Package Weight: 11400 g (25.1 lbs)

Accessories

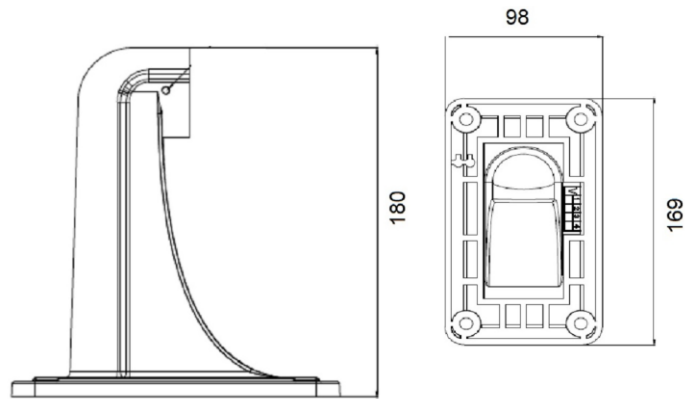


GU-BR-AMC01



GU-BR-AML01

Dimensions



Fits the following products:

GU-BR-AJX01	Junction Box Pendant Mount
GU-BR-AJX04	Junction Box Pendant Mount
GU-BR-AJX06	Junction Box
GU-BR-AJX07	Junction Box Pendant Mount
GU-BR-AJX09	Junction Box Pendant Mount
GU-BR-AJX12	Junction Box
GU-BR-AJX13	Junction Box
GU-BR-AMP02	Pendant Mount Bracket