

# 4 MP IP-Camera 2.8~12mm Motorized GD-CI-CP4637V

# GRUNDIG



Type: Fixed Dome - IP - Camera  
Item Code: GD-CI-CP4637V  
EAN CODE: 4260573063956

## PROFESSIONAL

The PROFESSIONAL product line comprehensively covers modern video systems and offers versatile solutions for various areas of application.

## Highlights

### Ultra Low Light



Designed for unparalleled performance in low-light environments, this camera incorporates advanced image processing and a high-capacity image sensor, ensuring exceptional image quality even in ultra-low light conditions.

### Objekt Classification



This technology employs a highly advanced deep learning algorithm that can discern whether the alarm was triggered by a human, a vehicle or some other object.

### H.265+



H.265pro+ utilizes the standard H.265/High Efficiency Video Coding (HEVC) format, but boasts advanced technologies that enable it to substantially reduce the necessary transmission bandwidth and storage capacity for maximum efficiency.

## Features

- 4 Megapixel IP Camera with real time video streaming
- Motorized Varifocal Lens:  $f = 2.8 - 12 \text{ mm}$
- Ultra Low Light CMOS Sensor, Smart-IR Control
- Reduction of unwanted alarms (false alarms) by classifying target objects using deep learning algorithms. This significantly reduces false alarms generated by objects other than people or vehicles. This makes finding events easier and saves hard drive capacity
- H.265/H.265+, H.264/H.264+ & MJPEG compression modes
- 0 Lux: Integrated LED IR Illuminator viewable distance up to 40m

## Specifications GD-CI-CP4637V

## Camera

Image Sensor:	1/3" progressive Scan CMOS
Video Resolution:	2688 × 1520
Sensitivity Colour:	0.003 Lux @ F1.4 (AGC ON)
Sensitivity B/W:	0 Lux LED IR on
Shutter Speed:	1/3 ~ 1/100,000 s (Automated Electronic Shutter)
Slow Shutter:	Support
White Balance:	Manual, AWB1, AWB2, Locked WB, Fluorescent lamp, Incandescent lamp, Warm light, Natural light

## Lens

Lens Focal Length:	2.8 ~ 12 mm motorized, autofocus
Iris F-Number:	F1.4
Lens Mount:	Ø14
Field of View:	108° ~ 30° (horizontal), 56° ~ 17° (vertical), 131° ~ 35° (diagonal)

## Illuminator

Max. IR Distance:	Up to 40 m
Wavelength:	850 nm

## Video

Col/B&W:	On, Off, Auto, IR-cut filter removable (ICR)
Wide Dynamic Range:	120 dB
Image Enhancement:	BLC, 3D DNR, HLC
Image Settings:	Rotate mode, Saturation, Brightness, Contrast, Sharpness, AGC and White Balance adjustable by client software or web browser
Day/Night Switch:	Support auto, scheduled, day, night

## Audio

Audio Compression:	G.711ulaw/G.711alaw/G.722.1/G.726/MP2L2/PCM/MP3/AAC
Audio Bit Rate:	64Kbps(G.711)/16Kbps(G.722.1)/16Kbps(G.726)/32-192Kbps(MP2L2)/32 Kbps(PCM)/ 8-320 Kbps(MP3)
Environment Noise Filtering:	yes

## Network

Users:	3 Levels: Administrator, Operator and User
Number of Clients:	Up to 6 simultaneously
Functions:	One-key reset, anti-flicker, three streams, heartbeat, mirror, password protection, privacy mask, watermark, IP-address filter
Video Compression:	Main Stream: H.264, H.264+, H.265, H.265+ Sub-Stream: H.264, H.265, MJPEG Third Stream: H.264, H.265
Region of Interest:	1 fixed region for each stream
H.264 code profile:	Baseline Profile / Main Profile / High Profile
Bit Rate:	32Kbps ~ 8Mbps, adjustable
Scalable Video Coding (SVC):	supported
SD Memory:	Micro SD/SDHC/SDXC card slot with ANR (up to 256G), NAS (Support NFS, SMB/CIFS)

Network	
Frame Rate:	Main Stream 50 Hz: 25 fps (2688 × 1520, 1920 × 1080, 1280 × 720) 60 Hz: 30 fps (2688 × 1520, 1920 × 1080, 1280 × 720) Sub Stream 50 Hz: 25 fps (640 × 480, 640 × 360) 60 Hz: 30 fps (640 × 480, 640 × 360) 3. Stream 50 Hz: 10 fps (1920 × 1080, 1280 × 720, 640 × 480, 640 × 360) 60 Hz: 10 fps (1920 × 1080, 1280 × 720, 640 × 480, 640 × 360) * 3. Stream supported under certain settings
Network Protocol:	TCP/IP, IPv4, ICMP, HTTP, HTTPS, FTP, DHCP, DNS, DDNS, RTP, RTSP, NTP, UPnP, SMTP, IGMP, 802.1X, QoS, IPv6, Bonjour, UDP, PPPoE, SNMP, SLS/TLS
Cyber Security:	3 levels of user management: admin, operator, user, AES Encryption for Password Protection, Complicated Password, HTTPS (SSL) Login Authentication, Basic and digest authentication for HTTP/HTTPS, 802.1X authentication, (EAP-LEAP), 802.1X authentication (EAP-TLS), 802.1X authentication (EAP-MD5), Watermark, IP Address Filter, WSSE and digest authentication for ONVIF, Security audit log, SNMP V2, SNMP V3, TLS 1.0, TLS 1.1, TLS 1.2, TLS 1.2 with updated cipher suites including AES 256 encryption. Brute Force Delay Protection, Signed Firmware, Secure Boot by software check
I/O Interface	
Audio Input/Output:	1-ch audio input and 1-ch audio output
Alarm Input/Output:	1 input, 1 output (up to 24 VDC 500 mA)
Network Interface:	1x 10, 100 Base T, TX PoE+ (RJ-45)
Intelligent Functions	
Deep Learning Analytics:	Face Capture, Line crossing detection, intrusion detection, region entrance detection, region exiting detection, human, vehicle
Motion Detection:	Off, ON (Normal), Expert mode: 8 user-defined rectangular zones, by schedule
Intrusion Detection:	Enter and loiter in a pre-defined virtual region
Line Crossing:	Cross a pre-defined virtual line
Region Entrance:	Enter a pre-defined virtual region from the outside place
Region Exiting:	Exit from a pre-defined virtual region
Tamper Protection:	Scene change and defocus
Event Source:	Video tampering, network disconnected, IP address conflicted, HDD full, HDD error, illegal login, motion detection
Event Action:	Recording: Pre-event, post-event memory card and/or network storage. Picture upload: FTP, HTTP and NAS. Trigger E-mail notification: HTTP, ISAPI. Audio alarm, white light alarm, alarm output and notification to C-WERK VMS. Events are depending on schedule settings.
Approvals	
Protection Rating:	IP66 (IEC 60529-2013), IK10 (IEC 62262:2002)
Regulation:	CE, EAC, FCC, RoHS Compliant
Standard:	ONVIF (Profile S, Profile G, Profile T), SDK/API
Environmental	
Operating Temperature:	-30 °C ~ 60 °C (-22 °F ~ 140 °F)
Humidity:	Less than 95%, non condensing
Electrical	
Supply Voltage:	12 VDC, PoE (IEEE 802.3af)
Power Consumption:	Max. 11 W
Mechanical	
Mount:	Pan: 0° to 355°, tilt: 0° to 75°, rotation: 0° to 355°
Dimensions:	Ø 154 × 133 mm (Ø 6.0 × 5.2 inch)
Weight:	1050 g (2.31 lb)

**Packaging**

Package Dimensions:	244 x 174 x 173 mm (9.6 x 6.9 x 6.8 inch)
Package Weight:	1700 g (3.7 lbs)
Packaging Unit:	8
Bulk Package Dimensions:	504 x 365 x 372 mm (19.8 x 14.4 x 14.6 inch)
Bulk Package Weight:	14100 g (31.1 lbs)

**Accessories**



GD-BR-AMF06



GD-BR-AMP10

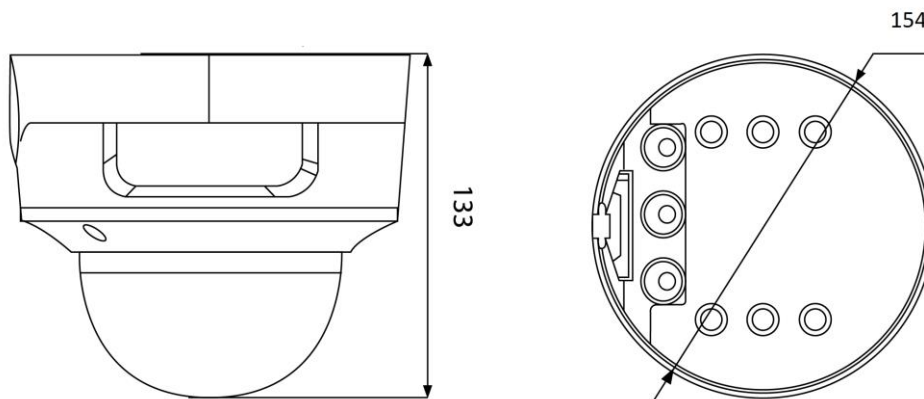


GD-BR-AMW01



GD-BR-AWJ07

**Dimensions**



**Guarantee**

All cameras in the "SMART", "PRO" and "PREMIUM" product lines have an extended warranty period of 5 years on electronic parts, mechanical wear and tear on moving parts is not included. Please note our general delivery terms and conditions.