



Type: PTZ Dome - IP - Camera
Item Code: GD-CI-CP2647P
EAN CODE: 4260573064588

PROFESSIONAL

The PROFESSIONAL product line comprehensively covers modern video systems and offers versatile solutions for various areas of application.

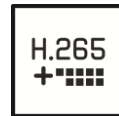
Highlights

Ultra Low Light



Designed for unparalleled performance in low-light environments, this camera incorporates advanced image processing and a high-capacity image sensor, ensuring exceptional image quality even in ultra-low light conditions.

H.265+



H.265pro+ utilizes the standard H.265/High Efficiency Video Coding (HEVC) format, but boasts advanced technologies that enable it to substantially reduce the necessary transmission bandwidth and storage capacity for maximum efficiency.

Object Classification



This technology employs a highly advanced deep learning algorithm that can discern whether the alarm was triggered by a human, a vehicle or some other object.

Features

- Intelligent Video Analytics Function
- Privacy Zone Masking Function
- IR LEDs integrated
- 25x motorized optical zoom with 16x digital zoom
- High Frame Recording: 50/60 fps
- High Speed Pan/Tilt (350°/sec Pan 200°/sec Tilt)

High Frame Rate

The benefits of a higher frame rate: By capturing more frames per second, our technology ensures that fast movements are captured in more detail. Experience smoother playback that leaves no details unnoticed and strengthens your security measures. Cameras with a higher frame rate are able to better identify passing objects.

Specifications GD-CI-CP2647P

Camera

Image Sensor:	1/2.8" progressive Scan CMOS
Video Resolution:	1920 x 1080
Sensitivity Colour:	0.005 Lux @ F1.6 (AGC ON)
Sensitivity B/W:	0.001 Lux @ (F1.6, AGC ON)
Shutter Speed:	1 ~ 1/30,000 s
White Balance:	Auto, Manual, ATW, Indoor, Outdoor, Fluorescent light, Sodium light

Lens

Lens Focal Length:	4.8 ~ 120 mm motorized, autofocus
Iris F-Number:	F1.6
Focus Adjustment:	Auto, Manual, Semi-automatic
Optical Zoom Ratio:	25x
Digital Zoom:	16x
Field of View:	54.9° ~ 2.7° (horizontal), 31.5° ~ 1.5° (vertical), 62.3° ~ 3.1° (diagonal)

Illuminator

Max. IR Distance:	Up to 50 m
Wavelength:	850 nm

Video

Col/B&W:	Auto, Color, Removable IR-Cut Filter (ICR)
Wide Dynamic Range:	120 dB
Image Enhancement:	BLC, 3D DNR, Defog, EIS, HLC, AGC, Regional Exposure, Regional Focus
Day/Night Switch:	Support auto, scheduled, day, night
Triple Streams:	Support

Audio

Audio Compression:	G.711ulaw/G.711alaw/G.722.1/G.726/MP2L2/PCM/AAC
Audio Bit Rate:	64Kbps(G.711)/16Kbps(G.722.1)/16Kbps(G.726)/32-196Kbps(MP2L2)/128-1024 Kbps(PCM)/16-64Kbps(AAC-LC)

General

DRI Range:	Detection: 1600 m Observation: 635 m Recognition: 320 m Identification: 160 m
Accessories included:	Power Adapter

Frame Rate

Main Stream:	50 Hz: 50 fps (1920 × 1080, 1280 × 960, 1280 × 720) 60 Hz: 60 fps (1920 × 1080, 1280 × 960, 1280 × 720) *High frame rate is supported under certain settings
Sub- Stream:	50 Hz: 25 fps (704 × 576, 640 × 480, 352 × 288) 60 Hz: 30 fps (704 × 480, 640 × 480, 352 × 240)

Frame Rate

3rd Stream:	50 Hz: 25 fps (1920 × 1080, 1280 × 960, 1280 × 720, 704 × 576, 640 × 480, 352 × 288) 60 Hz: 30 fps (1920 × 1080, 1280 × 960, 1280 × 720, 704 × 480, 640 × 480, 352 × 240)
-------------	--

Network

Number of Clients:	Up to 32 and 20 simultaneously
Video Compression:	Main Stream: H.264, H.264+, H.265, H.265+ Sub-Stream: H.264, H.265, MJPEG Third Stream: H.264, H.265, MJPEG
H.264 code profile:	Baseline Profile / Main Profile / High Profile
Scalable Video Coding (SVC):	supported
SD Memory:	Micro SD/SDHC/SDXC card slot with ANR (up to 256G), NAS (Support NFS, SMB/CIFS)
Network Protocol:	TCP/IP, ICMP, HTTP, HTTPS, FTP, DHCP, DNS, DDNS, RTP, RTSP, RTCP, NTP, UPnP, SMTP, IGMP, 802.1X, QoS, IPv6, Bonjour, UDP, PPPoE, SNMP, SSL/TLS, SFTP
Cyber Security:	3 levels of user management: admin, operator, user, AES Encryption for Password Protection, Complicated Password, HTTPS (SSL) Login Authentication, Basic and digest authentication for HTTP/HTTPS, 802.1X authentication, (EAP-LEAP), 802.1X authentication (EAP-TLS), 802.1X authentication (EAP-MD5), Watermark, IP Address Filter, WSSE and digest authentication for ONVIF, SNMP V2, SNMP V3, TLS 1.0, TLS 1.1, TLS 1.2, TLS 1.2 with updated cipher suites including AES 256 encryption. Brute Force Delay Protection, Signed Firmware, Secure Boot by hardware check
Network Storage:	Micro SD, SDHC, SDXC card with ANR (up to 256G), NAS (Support NFS, SMB, CIFS)

Pan Tilt Zoom

Number of Privacy Zones:	24 programmable zones
Number of Patrols:	8 patrols, up to 32 presets for each patrol
Number of Pattern:	4 pattern scans, record time over 10 minutes for each scan
Number of Preset:	300
Pan Speed:	Configurable, from 0.1°/sec to 300°/sec Preset Speed: 350°/sec
Tilt Speed:	Configurable from 0.1°/sec to 160°/sec, Preset Speed: 200°/sec
Range Panning:	360° endless
Range Tilting:	-5° ~ 90°
Schedule:	Preset, Pattern Scan, Patrol Scan, Auto Scan, Tilt Scan, Random Scan, Frame Scan, Panorama Scan, Dome Reboot, Dome Adjust
Park Action:	Preset, Patrol, Pattern, Auto scan, Tilt scan, Random scan, Frame scan, Panorama scan
Preset Freezing:	Support
Proportional Zoom:	Rotation speed can be adjusted automatically according to zoom multiples
PTZ Status Display:	ON, OFF
Tracking Functions:	Manual Tracking, Auto Tracking

I/O Interface

Audio Input/Output:	1-ch audio input and 1-ch audio output
Alarm Input/Output:	2, 2
Network Interface:	1x 10, 100 Base T, TX PoE (RJ-45)

Intelligent Functions

Motion Detection:	On, Off, Area Setting, Sensitivity
Intrusion Detection:	Enter and loiter in a pre-defined virtual region
Line Crossing:	Cross a pre-defined virtual line with target classification Pedestrian and or Motor vehicle can be configured.
Region Entrance:	Enter a pre-defined virtual region from the outside place

Intelligent Functions

Region Exiting:	Exit from a pre-defined virtual region
Unattended Baggage:	Objects left over in the pre-defined region such as the baggage, purse, dangerous materials
Object Removal:	Detects objects left over or lost in the pre-defined region such. In this case an alarm notification or signal will be sent automatically and in real time.
Face Detection:	Up to 5 human faces can be captured simultaneously and supports detecting, capturing, gradind, selecting of face in motion and output tbe best face image
Tamper Protection:	Detection of scene change, defocus, sudden audio increase/decrease or audio loss.

Approvals

Protection Rating:	IP66 (IEC 60529-2013)
Regulation:	CE, RoHS Compliant
Standard:	ONVIF (Profile S, Profile G, Profile T), SDK/API

Environmental

Operating Temperature:	-30 °C ~ +65 °C (-22 °F ~ 149 °F)
Humidity:	Less than 90%, non condensing

Electrical

Surge Protection:	TVS 6000V Lightning Protection, Surge Protection and Voltage Transient Protection
Supply Voltage:	12 VDC, PoE (IEEE 802.3at)
Power Consumption:	Max. 24 W

Mechanical

Dimensions:	Ø 169 x 161mm (Ø 6.67 x 6.34 inch)
Weight:	2450 g (5.40lb)

Packaging

Package Dimensions:	216 x 216 x 260 mm (8.5 x 8.5 x 10.2 inch)
Package Weight:	3100 g (6.8 lbs)
Packaging Unit:	4
Bulk Package Dimensions:	447 x 447 x 282 mm (17.6 x 17.6 x 11.1 inch)
Bulk Package Weight:	13100 g (28.9 lbs)

Accessories

GD-BR-AJX02



GD-BR-AMF02



GD-BR-AMP02



GD-BR-AMP03

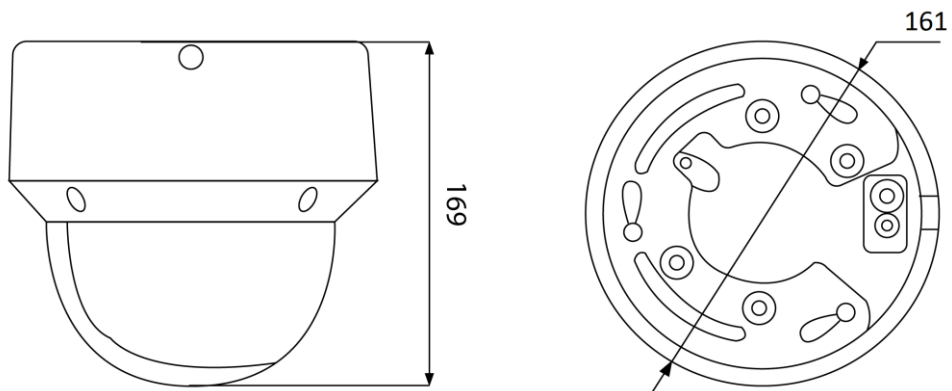


GD-BR-AMP05



GD-BR-AMW11

Dimensions



Guarantee

All cameras in the "SMART", "PRO" and "PREMIUM" product lines have an extended warranty period of 5 years on electronic parts, mechanical wear and tear on moving parts is not included. Please note our general delivery terms and conditions.