

Type: Bullet - IP - Camera
Item Code: GD-CI-BT8537TH
EAN CODE: 4260573064946

PREMIUM

The PREMIUM product line offers versatile solutions with unique and unparalleled features.

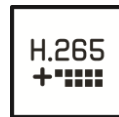
Highlights

Ultra Low Light



Designed for unparalleled performance in low-light environments, this camera incorporates advanced image processing and a high-capacity image sensor, ensuring exceptional image quality even in ultra-low light conditions.

H.265+



H.265pro+ utilizes the standard H.265/High Efficiency Video Coding (HEVC) format, but boasts advanced technologies that enable it to substantially reduce the necessary transmission bandwidth and storage capacity for maximum efficiency.

Object Classification



This technology employs a highly advanced deep learning algorithm that can discern whether the alarm was triggered by a human, a vehicle or some other object.

Features

- Deep Learning - Human and Vehicle Analysis: Self learning human and vehicle classification improves unwanted alarm filtering
- Motorized Varifocal Lens: f = 2.8 - 12 mm
- Bidirectional Audio Support
- Management platform for 3rd party APPs
- Built in analytics function: Detection of line crossing, intrusion, region entrance, region exit, object removal, unattended baggage, face and scene change included
- H.265/H.265+, H.264/H.264+ & MJPEG compression modes
- 0 Lux: Integrated LED IR Illuminator viewable distance up to 60m

Specifications GD-CI-BT8537TH

Camera

Image Sensor:	1/1.8" progressive Scan CMOS
Video Resolution:	3840 × 2160
Sensitivity Colour:	0.004 Lux @ F1.2 (AGC ON)
Sensitivity B/W:	0 Lux LED IR on
Shutter Speed:	1/3 ~ 1/100,000 s (Automated Electronic Shutter)
Slow Shutter:	Support
White Balance:	Manual, AWB1, AWB2, Locked WB, Fluorescent lamp, Incandescent lamp, Warm light, Natural light

Lens

Lens Focal Length:	2.8 ~ 12 mm motorized, autofocus
Iris F-Number:	F1.2
Lens Drive Type:	P-Iris
Field of View:	112° ~ 41° (horizontal), 58° ~ 23° (vertical), 137° ~ 47° (diagonal)

Illuminator

Max. IR Distance:	Up to 60 m
-------------------	------------

Video

Col/B&W:	On, Off, Auto, IR-cut filter removable (ICR)
Wide Dynamic Range:	120 dB
Image Enhancement:	BLC, 3D DNR, Defog, HLC
Image Settings:	Rotate mode, Saturation, Brightness, Contrast, Sharpness and white balance adjustable by client software or web browser
Day/Night Switch:	Support auto, scheduled, day, night
Privacy zones:	8 zones, rectangle, blackened or mosaic

Audio

Audio Compression:	G.711ulaw/G.711alaw/G.722.1/G.726/MP2L2/PCM/MP3/AAC
Audio Bit Rate:	64 Kbps (G.711ulaw/G.711alaw)/16 Kbps (G.722.1)/16 Kbps (G.726)/16 Kbps to 64 Kbps (AAC)/32 to 192 Kbps (MP2L2)/8 to 320 Kbps (MP3)
Environment Noise Filtering:	yes
Audio Detection:	Sudden audio increase, decrease

General

Accessories included:	Junction box GD-BR-AJX04
-----------------------	--------------------------

Frame Rate

Main Stream:	50 Hz: 25 fps (3860 × 2160, 3200 × 1800, 2688 × 1520, 1920 × 1080, 1280 × 720) 60 Hz: 30 fps (3860 × 2160, 3200 × 1800, 2688 × 1520, 1920 × 1080, 1280 × 720)
Sub- Stream:	50 Hz: 25 fps (1280 × 720, 640 × 480, 640 × 360) 60 Hz: 30 fps (1280 × 720, 640 × 480, 640 × 360)
3rd Stream:	50 Hz: 10 fps (1920 × 1080, 1280 × 720, 640 × 480, 640 × 360) 60 Hz: 10 fps (1920 × 1080, 1280 × 720, 640 × 480, 640 × 360) * 3rd stream supported under certain settings
4th Stream:	50 Hz: 10 fps (1280 × 720, 640 × 480, 640 × 360) 60 Hz: 10 fps (1280 × 720, 640 × 480, 640 × 360)

Network

Number of Clients:	Up to 32, 6 simultaneously Live View
--------------------	--------------------------------------

Network

Functions:	One-key reset, anti-flicker, four streams, heartbeat, mirror, password protection, privacy mask, IP-address filter, rotate, flash log, white balance, pixel counter
Video Compression:	Main Stream: H.264, H.264+, H.265, H.265+ Sub-Stream: H.264, H.265, MJPEG Third Stream: H.264, H.265 Fourth Stream: H.264, H.265, MJPEG
Region of Interest:	5 fixed region for main stream and sub-stream
H.264 code profile:	Baseline Profile / Main Profile / High Profile
Bit Rate:	32Kbps ~ 16Mbps, adjustable
Scalable Video Coding (SVC):	supported
SD Memory:	Micro SD/SDHC/SDXC card slot with ANR (up to 512G), NAS (Support NFS, SMB/CIFS)
Multicasting:	supported
Network Protocol:	TCP/IP, IPv4, ICMP, HTTP, HTTPS, FTP, DHCP, DNS, DDNS, RTP, RTSP, NTP, UPnP, SMTP, IGMP, 802.1X, QoS, IPv6, Bonjour, UDP, PPPoE, SNMP, SLS/TLS
Cyber Security:	3 levels of user management: admin, operator, user, AES Encryption for Password Protection, Complicated Password, HTTPS (SSL) Login Authentication, Basic and digest authentication for HTTP/HTTPS, 802.1X authentication, (EAP-LEAP), 802.1X authentication (EAP-TLS), 802.1X authentication (EAP-MD5), Watermark, IP Address Filter, WSSE and digest authentication for ONVIF, RTP/RTSP over HTTPS, Control timeout settings, Security audit log, SNMP V2, SNMP V3, TLS 1.1, TLS 1.2, TLS 1.2 with updated cipher suites including AES 256 encryption., Centralized Certificate Management, Brute Force Delay Protection, Signed Firmware, Secure Boot by software check, Secure Boot by hardware check
Streaming:	Four streams * fourth & third stream is supported under certain settings

I/O Interface

Audio Input/Output:	1-ch audio input and 1-ch audio output
Alarm Input/Output:	3 inputs, 3 outputs (up to 24 VDC 1 A or 24 VAC 1A)
Network Interface:	1x 10, 100 Base T, TX PoE+ (RJ-45)
Serial Interface(s):	1x RS-485

Intelligent Functions

Motion Detection:	Adjustable whether people or motorized vehicles or only movements should be detected. The detection area and sensitivity can also be adjusted.
Intrusion Detection:	Enter and loiter in a pre-defined virtual region, up to 4 pre-defined virtual regions supported
Line Crossing:	Cross a pre-defined virtual line, up to 4 pre-defined virtual lines supported
Region Entrance:	Enter a pre-defined virtual region from the outside place
Region Exiting:	Exit from a pre-defined virtual region
Unattended Baggage:	Objects left over in the pre-defined region such as the baggage, purse, dangerous materials
Object Removal:	Objects removed from the pre-defined region, such as the exhibits on display
Object Counting:	Entrance and Exit of people number is accounted and shown on screen in real time
Face Detection:	Human face appears in the image can be detected and trigger event action
Tamper Protection:	Scene change and defocus
Event Source:	Video tampering, network disconnected, IP address conflicted, HDD full, HDD error, illegal login, motion detection, alarm input, line crossing, intrusion, human & vehicle target classification
Event Action:	Send E-mail, trigger alarm output, notify surveillance C-WERK, upload to FTP/NAS, trigger SD-card recording and/or image capture.

Approvals

Protection Rating:	IP67 (IEC 60529-2013), IK10 (IEC 62262:2002)
--------------------	--

Approvals

Regulation:	CE, EAC, FCC, RoHS Compliant
Standard:	ONVIF (Profile S, Profile G, Profile T), SDK/API

Environmental

Operating Temperature:	-40 °C ~ 60 °C (-40 °F ~ 140 °F)
Humidity:	Less than 95%, non condensing

Electrical

Surge Protection:	TVS 2000V Lightning Protection, Surge Protection and Voltage Transient Protection
Supply Voltage:	12 VDC, 24 VAC, PoE (IEEE 802.3at)
Power Consumption:	Max. 17 W

Mechanical

Mount:	Pan: 0° to 355°, tilt: 0° to 90°, rotation: 0° to 360°
Dimensions:	∅ 105 × 340 mm (∅ 4.1 × 13.4 inch)
Weight:	1450 g (3.2 lb)

Packaging

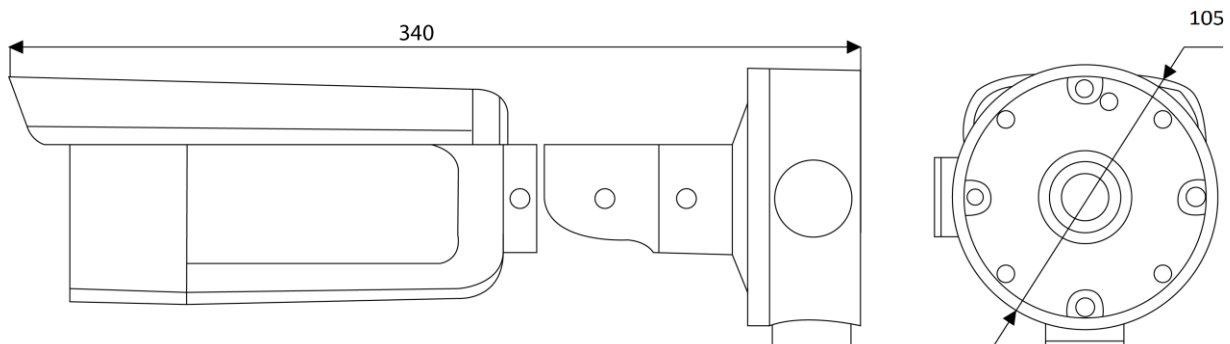
Package Dimensions:	385 x 190 x 180 mm (15.2 x 7.5 x 7.1 inch)
Package Weight:	1800 g (4 lbs)
Packaging Unit:	9
Bulk Package Dimensions:	590 x 560 x 410 mm (23.2 x 22 x 16.1 inch)
Bulk Package Weight:	18100 g (39.9 lbs)

Accessories

GD-BR-AMC03



GD-BR-AML01

Dimensions

Guarantee

All cameras in the "SMART", "PRO" and "PREMIUM" product lines have an extended warranty period of 5 years on electronic parts, mechanical wear and tear on moving parts is not included. Please note our general delivery terms and conditions.