



Type: PTZ Dome - IP - Camera
Item Code: GD-CI-BT4747P
EAN CODE: 4260573063208

PREMIUM

The PREMIUM product line offers versatile solutions with unique and unparalleled features.

Highlights

Ultra Low Light



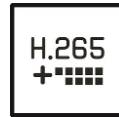
Designed for unparalleled performance in low-light environments, this camera incorporates advanced image processing and a high-capacity image sensor, ensuring exceptional image quality even in ultra-low light conditions.

Object Classification



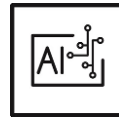
This technology employs a highly advanced deep learning algorithm that can discern whether the alarm was triggered by a human, a vehicle or some other object.

H.265+



H.265pro+ utilizes the standard H.265/High Efficiency Video Coding (HEVC) format, but boasts advanced technologies that enable it to substantially reduce the necessary transmission bandwidth and storage capacity for maximum efficiency.

Deep Learning



Deep Learning is inspired by the complex structure of the human brain. This innovative method allows processing of information and performing corresponding actions based on analysis.

Features

- Deep Learning - Human and Vehicle Analysis: Self learning human and vehicle classification improves unwanted alarm filtering
- 42x motorized optical zoom with 16x digital zoom
- 0 Lux: Integrated LED IR Illuminator viewable distance up to 400m
- Includes Wiper for front glass
- Panspeed (280°/sec) / Tiltspeed (250°/sec), minimum speed (0.1°/sec)
- Supports 24 VAC & HI Power over Ethernet (PoE)

Specifications GD-CI-BT4747P

Camera

Image Sensor:	1/1.8" progressive Scan CMOS
Video Resolution:	2688 × 1520
Sensitivity Colour:	0.001 Lux @ F1.2 (AGC ON)
Sensitivity B/W:	0.0005 Lux @ (F1.2, AGC ON), 0 Lux with IR
Shutter Speed:	1 ~ 1/30,000 s
White Balance:	Auto, Manual, ATW, Indoor, Outdoor, Flourescent light, Sodium light

Lens

Lens Focal Length:	6 .0 ~ 252 mm, 42x Optical Zoom
Iris F-Number:	F1.2
Lens Drive Type:	Auto Iris (DC)
Focus Adjustment:	Auto, Manual, Semi-automatic
Optical Zoom Ratio:	42x
Digital Zoom:	16x
Field of View:	56.6° ~ 1.7° (horizontal), 33.7° ~ 0.9° (vertical), 63.4° ~ 1.9° (diagonal)

Illuminator

Max. IR Distance:	Up to 400m
Wavelength:	850 nm
IR Angle:	Adjustable by zoom

Video

Col/B&W:	Auto, Color, Removable IR-Cut Filter (ICR)
Wide Dynamic Range:	140 dB
Image Enhancement:	BLC, 3D DNR, Defog, EIS, HLC, AGC, Regional Exposure, Regional Focus
Day/Night Switch:	Color, BW, Auto
Triple Streams:	Support
Image Stabilisation:	Built-in gyroscope to improve electronic image stabilization (EIS)

Audio

Audio Compression:	G722.1/G711ulaw/G711alaw/G726/MP2L2/PCM
Audio Bit Rate:	64Kbps(G.711)/16Kbps(G.722.1)/16Kbps(G.726)/32-196Kbps(MP2L2)

Frame Rate

Main Stream:	50 Hz: 25 fps (2560 × 1440, 1920 × 1080, 1280 × 960, 1280 × 720) 60 Hz: 30 fps (2560 × 1440, 1920 × 1080, 1280 × 960, 1280 × 720)
Sub- Stream:	50 Hz: 25 fps (704 × 576, 640 × 480, 352 × 288) 60 Hz: 30 fps (704 × 480, 640 × 480, 352 × 240)
3rd Stream:	50 Hz: 25 fps (1920 × 1080, 1280 × 960, 1280 × 720, 704 × 576, 640 × 480, 352 × 288) 60 Hz: 30 fps (1920 × 1080, 1280 × 960, 1280 × 720, 704 × 480, 640 × 480, 352 × 240)

Network

Number of Clients:	Up to 32 and 20 simultaneously
Video Compression:	Main Stream: H.264, H.264+, H.265, H.265+ Sub-Stream: H.264, H.265, MJPEG Third Stream: H.264, H.265, MJPEG
Region of Interest:	8 fixed regions for each stream
H.264 code profile:	Baseline Profile / Main Profile / High Profile

Network	
Bit Rate:	32Kbps ~ 16Mbps, adjustable
Scalable Video Coding (SVC):	supported
SD Memory:	Built-in Micro SD, SDHC, SDXC slot from 32 up to 256 GB
Client software:	C-WERK Viewer, SCMS, IOS App, Android App (SCMS)
Web Browser:	Plug-in required live view: IE10/IE11 Non Plug-in live view: Chrome 57+, Mozilla Firefox 52+ Local Service: Chrome 57+, Firefox 52+
Network Protocol:	TCP/IP, IPv4, ICMP, HTTP, HTTPS, FTP, DHCP, DNS, DDNS, RTP, RTSP, RTCP, NTP, UPnP, SMTP, IGMP, 802.1X, QoS, IPv6, Bonjour, UDP, PPPoE, SNMP
Cyber Security:	3 levels of user management: admin, operator, user, AES Encryption for Password Protection, Complicated Password, HTTPS (SSL) Login Authentication, Basic and digest authentication for HTTP/HTTPS, 802.1X authentication, (EAP-LEAP), 802.1X authentication (EAP-TLS), 802.1X authentication (EAP-MD5), Watermark, IP Address Filter, WSSE and digest authentication for ONVIF, SNMP V2, SNMP V3, TLS 1.0, TLS 1.1, TLS 1.2, TLS 1.2 with updated cipher suites including AES 256 encryption. Brute Force Delay Protection, Signed Firmware, Secure Boot by hardware check
Network Storage:	Micro SD, SDHC, SDXC card with ANR (up to 256G), NAS (Support NFS, SMB, CIFS)
Pan Tilt Zoom	
Number of Privacy Zones:	24 programmable polygon zones, mask color or mosaic
Number of Patrols:	8 patrols, up to 32 presets for each patrol
Number of Pattern:	4 pattern scans, record time over 10 minutes for each scan
Number of Preset:	300
Pan Speed:	Configurable, from 0.1°/sec to 210°/sec, Preset Speed: 280°/sec
Tilt Speed:	Configurable from 0.1°/sec to 150°/sec, Preset Speed: 250°/sec
Range Panning:	360° endless
Range Tilting:	-20° ~ 90°
Schedule:	Preset, Pattern Scan, Patrol Scan, Auto Scan, Tilt Scan, Random Scan, Frame Scan, Panorama Scan, Dome Reboot, Dome Adjust, Aux Output
Park Action:	Preset, Patrol, Pattern, Auto scan, Tilt scan, Random scan, Frame scan, Panorama scan
Preset Freezing:	Support
Proportional Zoom:	Rotation speed can be adjusted automatically according to zoom multiples
PTZ Status Display:	ON, OFF
Tracking Functions:	Manual Tracking, Auto Tracking, Event Tracking
I/O Interface	
Video Outputs:	1x CVBS (1 Vcc) BNC
Audio Input/Output:	1-ch audio input and 1-ch audio output
Alarm Input/Output:	7 inputs, 2 outputs (up to 12 VDC, 30 mA), terminal block
Network Interface:	1x 10, 100 Base T, TX HiPoE (RJ-45)
Serial Interface(s):	1x RS-485
Intelligent Functions	
Deep Learning Analytics:	Face Capture, Line crossing detection, intrusion detection, region entrance detection, region exiting detection, detection of people and vehicles with preselected features
Intrusion Detection:	Enter and loiter in a pre-defined virtual region, up to 4 pre-defined virtual regions supported
Line Crossing:	Cross a pre-defined virtual line, up to 4 pre-defined virtual lines supported
Region Entrance:	Enter a pre-defined virtual region from the outside place
Region Exiting:	Exit from a pre-defined virtual region

Intelligent Functions

Unattended Baggage:	Objects left over in the pre-defined region such as the baggage, purse, dangerous materials
Object Removal:	Objects removed from the pre-defined region, such as the exhibits on display
Face Detection:	Up to 30 human faces can be captured simultaneously and supports detecting, capturing, grading, selecting of face in motion and output the best face image
License Plate Recognition:	License Plate Recognition (LPR) , vehicle model & colour recognition
Event Source:	Video tampering, network disconnected, IP address conflicted, HDD full, HDD error, illegal login, motion detection, alarm input , line crossing, region entrance & exit, unattended baggage, object removal, audio exception, intrusion, face detection

Approvals

Protection Rating:	IP67 (IEC 60529-2013)
Regulation:	CE, EAC, FCC, RoHS Compliant
Standard:	ONVIF (Profile S, Profile G, Profile T), SDK/API

Environmental

Operating Temperature:	-40 °C ~ 70 °C (-40 °F ~ 158 °F)
Humidity:	Less than 95%, non condensing

Electrical

Surge Protection:	TVS 6000V Lightning Protection, Surge Protection and Voltage Transient Protection
Supply Voltage:	24 VAC, Hi-PoE (IEEE 802.3bt)
Power Consumption:	Max. 60W

Mechanical

Dimensions:	∅ 267 × 410 mm (∅ 10.50 × 16.14 inch)
Weight:	8000 g (17.64 lb)

Options

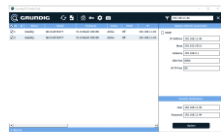
Wiper:	Built-in front glass motorized Wiper
--------	--------------------------------------

Packaging

Package Dimensions:	330 x 325 x 670 mm (13 x 12.8 x 26.4 inch)
Package Weight:	11500 g (25.4 lbs)
Packaging Unit:	2
Bulk Package Dimensions:	680 x 351 x 700 mm (26.8 x 13.8 x 27.6 inch)
Bulk Package Weight:	23500 g (51.8 lbs)

Accessories

GD-CW-VIEWER



GD-CW-FINDER



GD-SW-SCMS



GD-HW-SD-128GB



GD-HW-SD-256GB



GD-BR-AMA01S



GD-BR-AMC04S



GD-BR-AML06S



GD-BR-AML06S



GD-BR-AMP01S



GD-BR-AMP04S



GD-BR-AMP06S



GD-BR-AMP07S

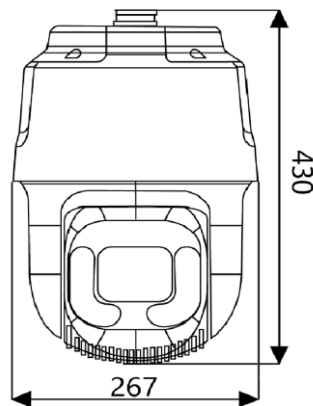


GD-BR-AMW08S



GD-BR-AMW10S

Dimensions



Guarantee

All cameras in the "SMART", "PRO" and "PREMIUM" product lines have an extended warranty period of 5 years on electronic parts, mechanical wear and tear on moving parts is not included. Please note our general delivery terms and conditions.