



Type: Turret - IP - Camera
Item Code: GD-CI-BP4637E
EAN CODE: 4260573061556

PROFESSIONAL

The PROFESSIONAL product line comprehensively covers modern video systems and offers versatile solutions for various areas of application.

Highlights

H.265+



H.265pro+ utilizes the standard H.265/High Efficiency Video Coding (HEVC) format, but boasts advanced technologies that enable it to substantially reduce the necessary transmission bandwidth and storage capacity for maximum efficiency.

Features

- 4 Megapixel IP Camera with real time video streaming
- Vandal- and weather-proof
- 0 Lux: Integrated LED IR Illuminator viewable distance up to 30m
- Support Dual Power PoE/DC12V
- H.265/H.265+, H.264/H.264+ & MJPEG compression modes
- 3 Axis Gimbal for wall and ceiling mount
- Motorized Vario Focal Lens

Specifications GD-CI-BP4637E

Camera

Image Sensor:	1/3" progressive Scan CMOS
Video Resolution:	2688 × 1520
Sensitivity Colour:	0.01 Lux @ F1.2 (AGC ON)
Sensitivity B/W:	0 Lux LED IR on
Shutter Speed:	1/3 ~ 1/100,000 s (Automated Electronic Shutter)
Slow Shutter:	Support
White Balance:	Manual, AWB1, AWB2, Locked WB, Fluorescent lamp, Incandescent lamp, Warm light, Natural light

Lens

Lens Focal Length:	2.8 ~ 12 mm motorized, autofocus
Iris F-Number:	F1.6
Lens Mount:	Ø14
Field of View:	98° ~ 28° (horizontal), 51° ~ 16° (vertical), 115° ~ 32° (diagonal)

Illuminator

Max. IR Distance:	Up to 30 m
Wavelength:	850 nm

Video

Col/B&W:	On, Off, Auto, IR-cut filter removable (ICR)
Wide Dynamic Range:	120 dB
Image Enhancement:	BLC, 3D DNR, HLC
Image Settings:	Rotate mode, Saturation, Brightness, Contrast, Sharpness and white balance adjustable by client software or web browser
Day/Night Switch:	Support auto, scheduled, day, night, triggered by alarm in

Audio

Audio Compression:	G.711ulaw/G.711alaw, G.722.1, G.726, MP2L2, PCM
Audio Bit Rate:	64Kbps(G.711)/16Kbps(G.722.1)/16Kbps(G.726)/32-160Kbps(MP2L2)
Environment Noise Filtering:	yes

General

Reset Button:	yes
---------------	-----

Frame Rate

Main Stream:	50 Hz: 25 fps (2688 × 1520, 2560 × 1440, 2304 × 1296, 1920 × 1080, 1280 × 720) 60 Hz: 30 fps (2688 × 1520, 2560 × 1440, 2304 × 1296, 1920 × 1080, 1280 × 720)
Sub- Stream:	50 Hz: 25 fps (640 × 480, 640 × 360, 320 × 240) 60 Hz: 30 fps (640 × 480, 640 × 360, 320 × 240)
3rd Stream:	50 Hz: 25 fps (1280 × 720, 640 × 360, 352 × 288) 60 Hz: 30 fps (1280 × 720, 640 × 360, 352 × 240)

Network

Users:	3 Levels: Administrator, Operator and User
Number of Clients:	Up to 6 simultaneously
Functions:	One-key reset, anti-flicker, heartbeat, mirror, password protection, privacy mask, watermark, IP-address filter

Network

Video Compression:	Main Stream: H.264, H.264+, H.265, H.265+ Sub-Stream: H.264, H.265, MJPEG Third Stream: H.264, H.265
Region of Interest:	1 fixed region for main stream and sub-stream
H.264 code profile:	Main Profile / High Profile
Bit Rate:	256 Kbps to 16 Mbps
Scalable Video Coding (SVC):	supported
SD Memory:	Micro SD/SDHC/SDXC card slot with ANR (up to 128G), NAS (Support NFS, SMB/CIFS)
Web Browser:	MS Internet Explorer 8.0+ , Mozilla Firefox 30.0-51, Google Chrome 31.0-44, Apple Safari 8.0+
Network Protocol:	TCP/IP, IPv4, ICMP, HTTP, HTTPS, FTP, DHCP, DNS, DDNS, RTP, RTSP, RTCP, NTP, UPnP, SMTP, IGMP, 802.1X, QoS, IPv6, Bonjour, UDP, PPPoE, SNMP
Cyber Security:	3 levels of user management: admin, operator, user, AES Encryption for Password Protection, Complicated Password, HTTPS (SSL) Login Authentication, Basic and digest authentication for HTTP/HTTPS, 802.1X authentication , (EAP-LEAP), 802.1X authentication (EAP-TLS), 802.1X authentication (EAP-MD5), Watermark, IP Address Filter, WSSE and digest authentication for ONVIF, Security audit log, SNMP V2 , SNMP V3, TLS 1.0, TLS 1.1, TLS 1.2, TLS 1.2 with updated cipher suites including AES 256 encryption. Brute Force Delay Protection, Signed Firmware, Secure Boot by software check

I/O Interface

Audio Input/Output:	1-ch audio input and 1-ch audio output
Alarm Input/Output:	1 input, 1 output (up to 12 VDC, 30 mA)
Network Interface:	1x 10, 100 Base T, TX PoE+ (RJ-45)

Intelligent Functions

Motion Detection:	Off, ON (Normal), Expert mode: 8 user-defined rectangular zones, by schedule
Intrusion Detection:	Enter and loiter in a pre-defined virtual region
Line Crossing:	Cross a pre-defined virtual line
Face Detection:	Human face appears in the image can be detected and trigger event action
Tamper Protection:	Scene change and defocus
Event Source:	Video tampering, network disconnected, IP address conflicted, HDD full, HDD error, illegal login, motion detection

Approvals

Protection Rating:	IP67 (IEC 60529-2013), IK10 (IEC 62262:2002)
Regulation:	CE, EAC, FCC, RoHS Compliant
Standard:	ONVIF (Profile S, Profile G), SDK/API

Environmental

Operating Temperature:	-30 °C ~ 60 °C (-22 °F ~ 140 °F)
Humidity:	Less than 95%, non condensing

Electrical

Surge Protection:	TVS 2000V Lightning Protection, Surge Protection and Voltage Transient Protection
Supply Voltage:	12 VDC, PoE (IEEE 802.3af)
Power Consumption:	Max. 10 W

Mechanical

Material:	Aluminium
Mount:	Pan: 0° to 355°, tilt: 0° to 75°, rotation: 0° to 355°
Dimensions:	∅ 136× 146 mm (∅5.4 × 5.7 inch)
Weight:	1200 g (2.65 lb)

Accessories



GD-CW-VIEWER



GD-CW-FINDER



GD-SW-SCMS

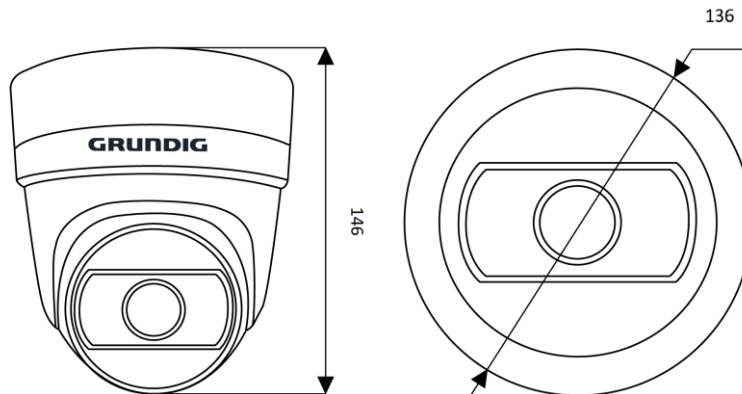


GD-HW-SD-128GB



GD-HW-SD-256GB

Dimensions



Guarantee

All cameras in the "SMART", "PRO" and "PREMIUM" product lines have an extended warranty period of 5 years on electronic parts, mechanical wear and tear on moving parts is not included. Please note our general delivery terms and conditions.