

GD-CI-BC4616V

4 MP Mini Fixed Dome IP-Camera 4mm ICR IR LED dWDR



- Support Dual Power PoE/DC12V
- 2-Axis Adjustment
- 0 Lux: Integrated LED IR Illuminator viewable distance up to 30m
- H.264 & MJPEG compression modes
- Lens: f = 4 mm, 86° Horizontal Angle
- 4 Megapixel IP Camera with 4MP real time video



ESSENTIAL

- Product Line Essential: high quality, basic features and remarkably many functions for smaller applications

Item Code: GD-CI-BC4616V

EAN CODE: 4260573060054

Specifications GD-CI-BC4616V

Camera

Image Sensor:	1/3" progressive Scan CMOS
Video Resolution:	2688 × 1520
Sensitivity Colour:	0.01 Lux @ F1.2 (AGC ON)
Sensitivity B/W:	0 Lux LED IR on
Shutter Speed:	1/3 ~ 1/100,000 s (Automated Electronic Shutter)
Slow Shutter:	Support

Lens

Lens Focal Length:	4 mm
Horizontal Viewing Angle:	86°
Iris F-Number:	F2.0
Lens Mount:	M12

Illuminator

Max. IR Distance:	Up to 30 m
Wavelength:	850nm

Video

Col/B&W:	On, Off, Auto, IR-cut filter removable (ICR)
Wide Dynamic Range:	72 db (Digital Wide Dynamic Range) Off, Low, Middle, High
Image Enhancement:	BLC, 3D DNR
Image settings:	Saturation, brightness, contrast and sharpness adjustable through client software or web browser
Day/Night Switch:	Support auto, scheduled

Network

Functions:	One-key reset, anti-flicker, heartbeat, mirror, password protection, privacy mask, watermark, Ip-address filter
Video Compression:	Main stream: H.264 , H.264+ Sub stream: H.264, MJPEG
Region of Interest:	Support 1 fixed region
H.264 code profile:	Main Profile / High Profile
Bit Rate:	32Kbps ~ 16Mbps
Network memory:	NAS(NFS, SMB/CIFS)
Network Protocol:	TCP/IP, ICMP, HTTP, HTTPS, FTP, DHCP, DNS, DDNS, RTP, RTSP, RTCP, NTP, UPnP, SMTP, IGMP, 802.1X, QoS, IPv6, UDP, Bonjour
Cyber Security:	3 levels of user management: admin, operator, user, AES Encryption for Password Protection, Complicated Password, HTTPS (SSL) Login Authentication, Basic and digest authentication for HTTP/HTTPS, Watermark, IP Adress Filter, WSSE and digest authentication for ONVIF, SNMP V2 , SNMP V3, TLS 1.0, TLS 1.1, Brute Force Delay Protection, Secure Boot by hardware check

Item Code: GD-CI-BC4616V

EAN CODE: 4260573060054

Network

Frame Rate:	Main Stream 50Hz: 20 fps @ (2688 × 1520) , 20fps @ (2304 × 1296) , 25fps @ (1920 × 1080, 1280 × 720) 60Hz: 20 fps @ (2688 × 1520) , 20fps @ (2304 × 1296) , 30fps @ (1920 × 1080, 1280 × 720) Sub- Stream 50Hz: 25fps @ (640 × 360, 352 × 288) 60Hz: 30fps @ (640 × 360, 352 × 240)
-------------	---

I/O Interface

Network Interface:	1x 10, 100 Base T, TX PoE+ (RJ-45)
--------------------	------------------------------------

Intelligent Functions

Intrusion Detection:	Motion Detection
Event Source:	Video tampering, network disconnected, IP address conflicted

Approvals

Regulation:	CE, EAC, FCC, RoHS Compliant
Protection Rating:	IP67, IK10
Standard:	ONVIF (Profile S, Profile G), PSIA, CGI, ISAPI

Environmental

Operating Temperature:	-40 °C ~ 60 °C (-40 °F ~ 140 °F)
Humidity:	less than 95%, non condensing

Electrical

Supply Voltage:	12 VDC, PoE (IEEE 802.3af)
Power Consumption:	Max. 5.5 W

Mechanical

Mount:	Pan: 0° to 355°, tilt: 0° to 70°, 2-Axis Adjustment
Dimensions:	Ø 111 × 82.4 mm (Ø 4.4 × 3.2 inch)
Weight:	500 g (1.1 lb)

Accessories:

GD-BR-AJX03



GD-BR-AMP09



GD-BR-AWJ02

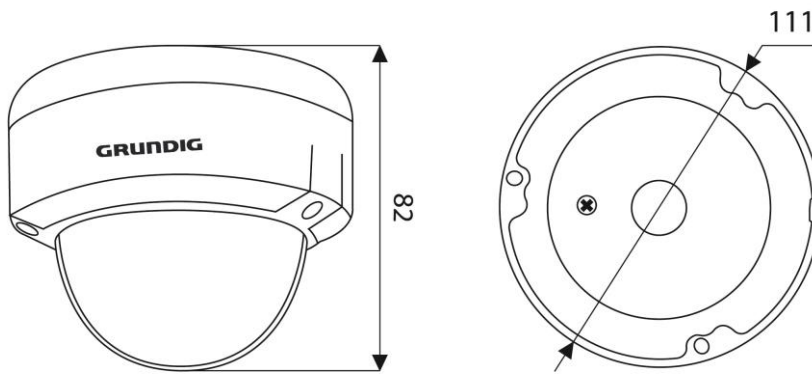
Item Code: GD-CI-BC4616V

EAN CODE: 4260573060054



GD-BR-AMW05

Dimensions:



Item Code: GD-CI-BC4616V

EAN CODE: 4260573060054

® Abetechs GmbH (Grundig Security), Düsseldorf, Germany

grundig-security.com