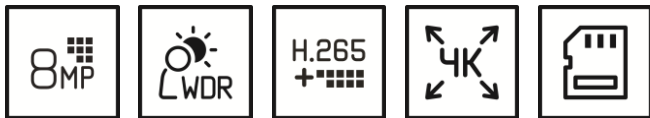


GD-CI-AT8505B

8 MP Box- IP-Camera



- 8 Megapixel IP Camera with real time video streaming
- Audio Communication & Alarm Input / Output
- H.265/H.265+, H.264/H.264+ & MJPEG compression modes
- Built in analytics function: Detection of line crossing, intrusion, region entrance, region exit, object removal, unattended baggage, face and scene change included
- Various streams from one camera can be used for recording and display. The benefits here enable, for example, keeping the data rate significantly lower with multiple-image displays
- Automatic Back-Focus adjustment: simplifies the lens setup



PREMIUM

- Product Line PREMIUM:
For comprehensive solutions with special and unique features

Item Code: GD-CI-AT8505B

EAN CODE: 4260573062164

Specifications GD-CI-AT8505B

Camera

Image Sensor:	1/1.8" progressive Scan CMOS
Video Resolution:	3840 × 2160
Sensitivity Colour:	0.007 Lux @ F1.2 (AGC ON)
Sensitivity B/W:	0.0007 Lux @ F1.2 (AGC ON)
Shutter Speed:	1 ~ 1/100,000 s
Slow Shutter:	Support
White Balance:	Manual, AWB1, AWB2, Locked WB, Fluorescent lamp, Incandescent lamp, Warm light, Natural light

Lens

Lens Mount:	C, CS mount with adaptor
Lens Drive Type:	Auto Iris (DC) , Manual Iris, P-Iris
Focus Adjustment:	Auto back focus

Video

Col/B&W:	On, Off, Auto, IR-cut filter removable (ICR)
Wide Dynamic Range:	120 dB On/ Off
Image Enhancement:	BLC, 3D DNR, Defog, EIS, HLC
Image Settings:	Rotate mode, Saturation, Brightness, Contrast, Sharpness and white balance adjustable by client software or web browser
Day/Night Switch:	Support auto, scheduled, day, night, triggered by alarm in

Audio

Audio Compression:	G.722.1/G.711ulaw/G.711alaw/G.726/MP2L2/PCM/MP3
Audio Bit Rate:	64Kbps(G.711)/16Kbps(G.722.1)/16Kbps(G.726)/32-192Kbps(MP2L2)/32 Kbps(PCM)/ 8-320 Kbps(MP3)
Environment Noise Filtering:	yes

Network

Functions:	One-key reset, anti-flicker, five plus five streams, heartbeat, mirror, password protection, privacy mask, watermark, IP-address filter
Video Compression:	Main Stream: H.264, H.264+, H.265, H.265+ Sub-Stream/ Third Stream/ Fourth Stream/ Fifth Stream/ Costum Stream: H.264, H.265, MJPEG
Region of Interest:	Support four fixed region for each stream, and dynamic face tracking
H.264 code profile:	Baseline Profile / Main Profile / High Profile
Bit Rate:	32Kbps ~ 16Mbps, adjustable
Scalable Video Coding (SVC):	supported
SD Memory:	Micro SD/SDHC/SDXC card slot with ANR (up to 256G), NAS (Support NFS, SMB/CIFS)

Item Code: GD-CI-AT8505B

EAN CODE: 4260573062164

Network

Frame Rate:	Main Stream 50 Hz: 25 fps (3840 × 2160, 3200 × 1800, 2560 × 1440, 1920 × 1080, 1280 × 720) 60 Hz: 30 fps (3840 × 2160, 3200 × 1800, 2560 × 1440, 1920 × 1080, 1280 × 720) Sub Stream 50 Hz: 25 fps (704 × 576, 640 × 480) 60 Hz: 30 fps (704 × 480, 640 × 480) 3. Stream 50 Hz: 25 fps (1920 × 1080, 1280 × 720, 704 × 576, 640 × 480) 60 Hz: 30 fps (1920 × 1080, 1280 × 720, 704 × 480, 640 × 480) 4. Stream 50 Hz: 25 fps (1920 × 1080, 1280 × 720, 704 × 576, 640 × 480) 60 Hz: 30 fps (1920 × 1080, 1280 × 720, 704 × 480, 640 × 480) 5. Stream 50 Hz: 25 fps (704 × 576, 640 × 480) 60 Hz: 30 fps (704 × 480, 640 × 480)
Network Protocol:	TCP/IP, IPv4, ICMP, HTTP, HTTPS, FTP, DHCP, DNS, DDNS, RTP, RTSP, RTCP, NTP, UPnP, SMTP, IGMP, 802.1X, QoS, IPv6, Bonjour, UDP, PPPoE, SNMP
Cyber Security:	3 levels of user management: admin, operator, user, AES Encryption for Password Protection, Complicated Password, HTTPS (SSL) Login Authentication, Basic and digest authentication for HTTP/HTTPS, 802.1X authentication, (EAP-LEAP), 802.1X authentication (EAP-TLS), 802.1X authentication (EAP-MD5), Watermark, IP Address Filter, WSSE and digest authentication for ONVIF, RTP/RTSP over HTTPS, Control timeout settings, Security audit log, SNMP V2, SNMP V3, TLS 1.1, TLS 1.2, TLS 1.2 with updated cipher suites including AES 256 encryption., Centralized Certificate Management, Brute Force Delay Protection, Signed Firmware, Secure Boot by software check, Secure Boot by hardware check
Reset Button:	yes

I/O Interface

Video Outputs:	1 Test Monitor output (CVBS, 1 Vpp). Adapter cable with female BNC connector included.
Audio Input/Output:	1-ch audio input and 1-ch audio output
Alarm Input/Output:	2 inputs, 2 outputs (up to 24 VDC 1 A or 110 VAC 500mA)
Network Interface:	1x 10, 100, 1000 Base T, TX (RJ-45)
Serial Interface(s):	1x RS485 half duplex

Intelligent Functions

Intrusion Detection:	Enter and loiter in a pre-defined virtual region, up to 4 pre-defined virtual regions supported
Line Crossing:	Cross a pre-defined virtual line, up to 4 pre-defined virtual lines supported
Region Entrance:	Enter a pre-defined virtual region from the outside place
Region Exiting:	Exit from a pre-defined virtual region
Unattended Baggage:	Objects left over in the pre-defined region such as the baggage, purse, dangerous materials
Loitering:	People stay longer than defined in a defined area
Object Removal:	Objects removed from the pre-defined region, such as the exhibits on display
Object Counting:	Entrance and Exit object number is accounted and showed on screen in real time
Face Detection:	Human face appears in the image can be detected and trigger event action
Tamper Protection:	Detection of scene change, defocus, sudden audio increase/decrease or audio loss.
Event Source:	Video tampering, network disconnected, IP address conflicted, HDD full, HDD error, illegal login, motion detection

Approvals

Regulation:	CE, EAC, FCC, RoHS Compliant
Standard:	ONVIF (Profile S, Profile G), SDK/API, Ehome

Item Code: GD-CI-AT8505B

EAN CODE: 4260573062164

Environmental

Operating Temperature:	-30 °C ~ 60 °C (-22 °F ~ 140 °F)
Humidity:	Less than 95%, non condensing

Electrical

Supply Voltage:	12 VDC, 24 VAC, PoE (IEEE 802.3af)
Power Consumption:	Max. 10 W

Mechanical

Dimensions:	143× 70 × 68 mm (5.61 × 2.75 × 2.68 inch)
Weight:	730 g (1.61 lb)

Accessories:



GD-LF-BT3611D-IR

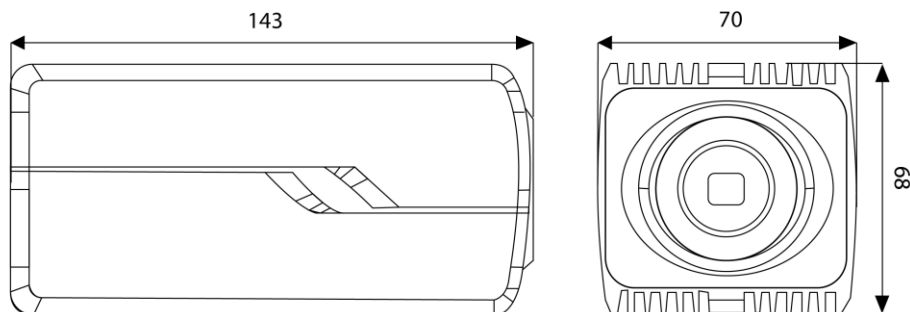


GD-LF-BT1150D-IR



GD-BR-AWA03

Dimensions:



Item Code: GD-CI-AT8505B

EAN CODE: 4260573062164

® Abetechs GmbH (Grundig Security), Düsseldorf, Germany

grundig-security.com