

Type: Fixed Dome - IP - Camera

Item Code: GD-CI-AT4637VH

EAN CODE: 4260573061563

PREMIUM

The PREMIUM product line offers versatile solutions with unique and unparalleled features.

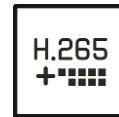
Highlights

Ultra Low Light



Designed for unparalleled performance in low-light environments, this camera incorporates advanced image processing and a high-capacity image sensor, ensuring exceptional image quality even in ultra-low light conditions.

H.265+



H.265pro+ utilizes the standard H.265/High Efficiency Video Coding (HEVC) format, but boasts advanced technologies that enable it to substantially reduce the necessary transmission bandwidth and storage capacity for maximum efficiency.

Features

- Audio Communication & Alarm Input / Output
- Built in analytics function: Detection of line crossing, intrusion, region entrance, region exit, object removal, unattended baggage, face and scene change included
- H.265/H.265+, H.264/H.264+ & MJPEG compression modes
- Various streams from one camera can be used for recording and display. The benefits here enable, for example, keeping the data rate significantly lower with multiple-image displays

Specifications GD-CI-AT4637VH

Camera

Image Sensor:	1/1.8" progressive Scan CMOS
Video Resolution:	2560 x 1440
Sensitivity Colour:	0.002 Lux @ F1.2 (AGC ON)
Sensitivity B/W:	0 Lux LED IR on
Shutter Speed:	1 ~ 1/100,000 s
Slow Shutter:	Support
White Balance:	Manual, AWB1, AWB2, Locked WB, Fluorescent lamp, Incandescent lamp, Warm light, Natural light

Lens

Lens Focal Length:	2.8 ~ 12 mm motorized, autofocus
Iris F-Number:	F1.2
Lens Drive Type:	P-Iris
Field of View:	109.2° ~ 38.9° (horizontal), 54.2° ~ 21.9° (vertical), 114.5° ~ 82.4° (diagonal)

Illuminator

Max. IR Distance:	Up to 30 m
-------------------	------------

Video

Col/B&W:	On, Off, Auto, IR-cut filter removable (ICR)
Wide Dynamic Range:	140 dB
Image Enhancement:	BLC, 3D DNR, Defog, EIS, HLC
Image Settings:	Rotate mode, Saturation, Brightness, Contrast, Sharpness and white balance adjustable by client software or web browser
Day/Night Switch:	Support auto, scheduled, day, night, triggered by alarm in

Audio

Audio Compression:	G.711ulaw/G.711alaw, G.722.1, G.726, MP2L2, PCM
Audio Bit Rate:	64Kbps(G.711)/16Kbps(G.722.1)/16Kbps(G.726)/32-160Kbps(MP2L2)
Environment Noise Filtering:	yes

Frame Rate

Main Stream:	50 Hz: 25 fps (2560 × 1440, 1920 × 1080, 1280 × 720) 60 Hz: 30 fps (2560 × 1440, 1920 × 1080, 1280 × 720)
Sub- Stream:	50 Hz: 25 fps (704 × 576, 640 × 480) 60 Hz: 30 fps (704 × 480, 640 × 480)
3rd Stream:	50 Hz: 25 fps (1920 × 1080, 1280 × 720, 704 × 576, 640 × 480) 60 Hz: 30 fps (1920 × 1080, 1280 × 720, 704 × 480, 640 × 480)
4th Stream:	50 Hz: 25 fps (704 × 576, 640 × 480) 60 Hz: 30 fps (704 × 480, 640 × 480)
5th Stream:	50 Hz: 25 fps (704 × 576, 640 × 480) 60 Hz: 30 fps (704 × 480, 640 × 480)
6th Stream:	50 Hz: 25 fps (1920 × 1080, 1280 × 720, 704 × 576, 640 × 480) 60 Hz: 30 fps (1920 × 1080, 1280 × 720, 704 × 480, 640 × 480) *) Listed resolutions are only selectable options. It does not mean that all streams can work at their maximum resolution at the same time.

Network

Functions:	One-key reset, anti-flicker, five plus five streams, heartbeat, mirror, password protection, privacy mask, watermark, IP-address filter
------------	---

Network

Video Compression:	Main Stream: H.264, H.264+, H.265, H.265+ Sub-Stream: H.264, H.265, MJPEG Third Stream: H.264, H.265, MJPEG
Region of Interest:	Support four fixed region for each stream, and dynamic face tracking
H.264 code profile:	Baseline Profile / Main Profile / High Profile
Bit Rate:	256 Kbps to 16 Mbps
Scalable Video Coding (SVC):	supported
SD Memory:	Micro SD/SDHC/SDXC card slot with ANR (up to 256G), NAS (Support NFS, SMB/CIFS)
Network Protocol:	TCP/IP, IPv4, ICMP, HTTP, HTTPS, FTP, DHCP, DNS, DDNS, RTP, RTSP, RTCP, NTP, UPnP, SMTP, IGMP, 802.1X, QoS, IPv6, Bonjour, UDP, PPPoE, SNMP
Cyber Security:	3 levels of user management: admin, operator, user, AES Encryption for Password Protection, Complicated Password, HTTPS (SSL) Login Authentication, Basic and digest authentication for HTTP/HTTPS, 802.1X authentication, (EAP-LEAP), 802.1X authentication (EAP-TLS), 802.1X authentication (EAP-MD5), Watermark, IP Address Filter, WSSE and digest authentication for ONVIF, RTP/RTSP over HTTPS, Control timeout settings, Security audit log, SNMP V2, SNMP V3, TLS 1.1, TLS 1.2, TLS 1.2 with updated cipher suites including AES 256 encryption., Centralized Certificate Management, Brute Force Delay Protection, Signed Firmware, Secure Boot by software check, Secure Boot by hardware check
Streaming:	Five streams plus five custom streams

I/O Interface

Video Outputs:	1 Test Monitor output (CVBS, 1 Vpp). Adapter cable with female BNC connector included.
Audio Input/Output:	1-ch audio input and 1-ch audio output
Alarm Input/Output:	1 input, 1 output (up to 24 VDC 1 A or 110 VAC 500mA)
Network Interface:	1x 10, 100, 1000 Base T, TX (RJ-45)

Intelligent Functions

Intrusion Detection:	Enter and loiter in a pre-defined virtual region, up to 4 pre-defined virtual regions supported
Line Crossing:	Cross a pre-defined virtual line, up to 4 pre-defined virtual lines supported
Region Entrance:	Enter a pre-defined virtual region from the outside place
Region Exiting:	Exit from a pre-defined virtual region
Unattended Baggage:	Objects left over in the pre-defined region such as the baggage, purse, dangerous materials
Object Removal:	Objects removed from the pre-defined region, such as the exhibits on display
Object Counting:	Entrance and Exit object number is accounted and showed on screen in real time
Face Detection:	Human face appears in the image can be detected and trigger event action
Tamper Protection:	Detection of scene change, defocus, sudden audio increase/decrease or audio loss.
Event Source:	Video tampering, network disconnected, IP address conflicted, HDD full, HDD error, illegal login, motion detection

Approvals

Protection Rating:	IP67 (IEC 60529-2013), IK10 (IEC 62262:2002)
Regulation:	CE, EAC, FCC, RoHS Compliant
Standard:	ONVIF (Profile S, Profile G), SDK/API

Environmental

Operating Temperature:	-50 °C ~ 65 °C (-58 °F ~ 149 °F)
Humidity:	Less than 95%, non condensing

Electrical

Surge Protection:	TVS 2000V Lightning Protection, Surge Protection and Voltage Transient Protection
Supply Voltage:	12 VDC, PoE (IEEE 802.3at)

Electrical

Power Consumption: Max. 17 W

Mechanical

Mount: Pan: 0° to 355°, tilt: 0° to 75°, rotation: 0° to 355°, 3-Axis Adjustment

Dimensions: Ø 162 x 142 mm (Ø6.4 x 5.5 inch)

Weight: 1450 g (3.2 lb)

Accessories



GD-CW-VIEWER



GD-CW-FINDER



GD-SW-SCMS



GD-HW-SD-128GB



GD-HW-SD-256GB



GD-BR-AMF06



GD-BR-AMP10

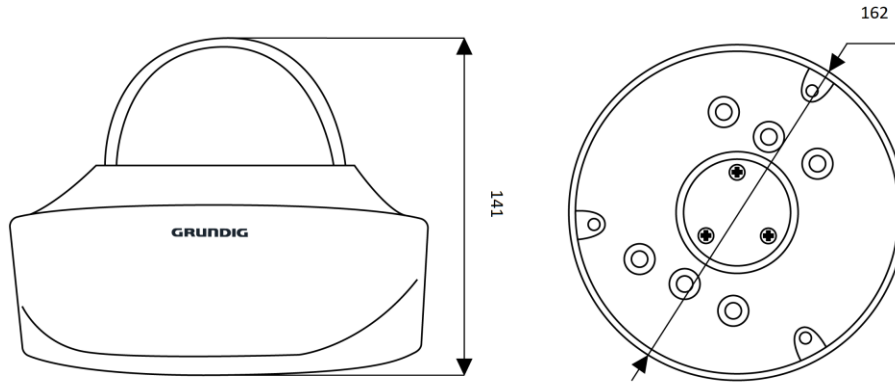


GD-BR-AMW01



GD-BR-AWJ07

Dimensions



Guarantee

All cameras in the “SMART”, “PRO” and “PREMIUM” product lines have an extended warranty period of 5 years on electronic parts, mechanical wear and tear on moving parts is not included. Please note our general delivery terms and conditions.